

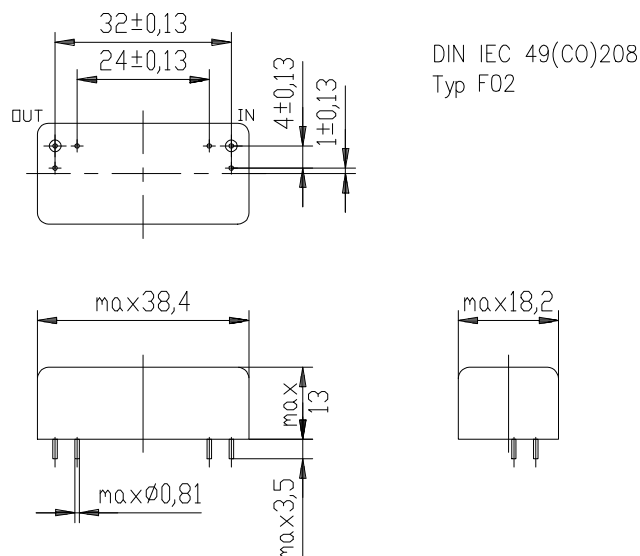


ROHS-Compliant Product

# RF-FRONTEND-FILTER



Antenna Filters				
Frequency range (MHz)	60...100	100...200	60...100	100...200
Passband (dB / kHz):	3.0 / ± 6.5		3.0 / ± 7.5	
Insertion loss max.(dB):	6.0	7.0	6.0	7.0
Ripple max.(dB):	2.0			
Stopband attenuation (dB / kHz):	40 / ± 35		40 / ± 40	
Ultimate attenuation >50 dB (dB/kHz ... kHz):	-60 ... -500	-80 ... -5000	-80 ... -5000	±100 ... ±5000
>50 dB (dB/kHz ... kHz):	+500 ... +5000	+1500 ... +5000	+500 ... +5000	+1500 ... +5000
Termination (Ω // pF):	50			
Case style:	BF-32; BF-26; BF-88; BF-90			
Temperature range (°C)				
Operating	-20 / +70			
Operable	-40 / +80			
Storage	-55 / +90			
Max. input power	1.0 mW			



**Case Style BF-32**

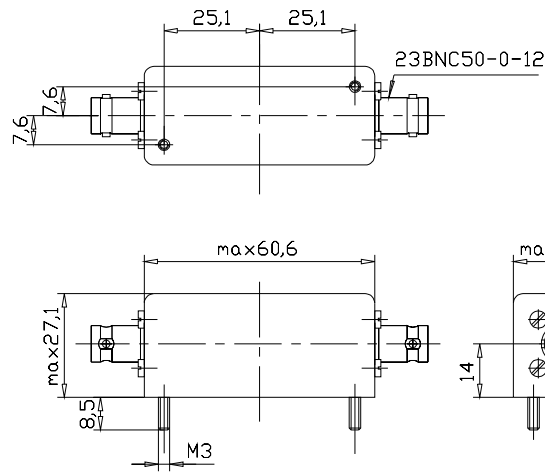
**KVG Quartz Crystal Technology GMBH**

D-74922 Neckarbischofsheim P.O.B. 61 74924 Neckarbischofsheim Waibstadter Strasse 2 - 4  
 Tel: +49 (0) 7263 / 648 - 0 Fax: +49 (0) 7263 / 6196 e-mail: info@kvg-gmbh.de

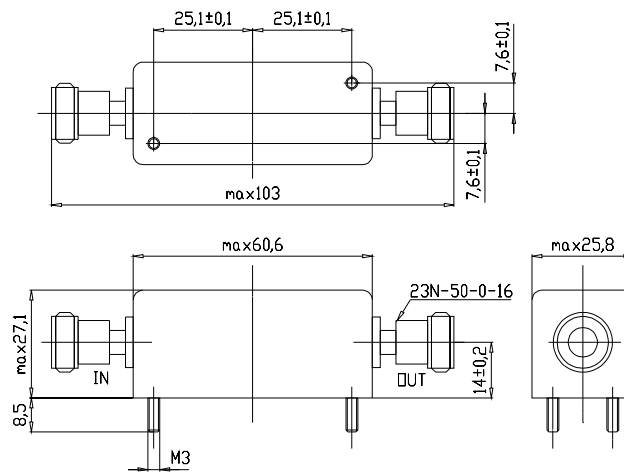


ROHS-Compliant Product

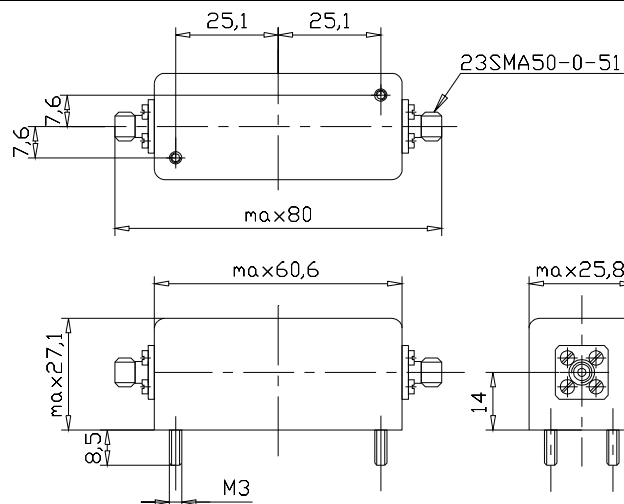
# RF-FRONTEND-FILTER



Case Style BF-26



Case Style BF-88



Case Style BF-90

**KVG Quartz Crystal Technology GMBH**

D-74922 Neckarbischofsheim P.O.B. 61 74924 Neckarbischofsheim Waibstadter Strasse 2 - 4  
Tel: +49 (0) 7263 / 648 - 0 Fax: +49 (0) 7263 / 6196 e-mail: info@kvg-gmbh.de