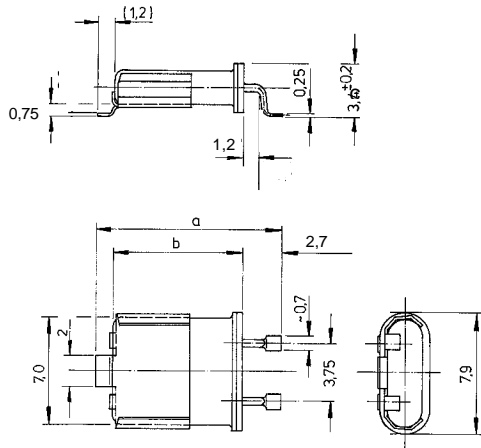


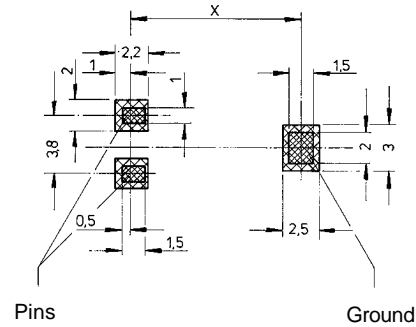


SMD Versions for Precision crystals

HC-52-SMD



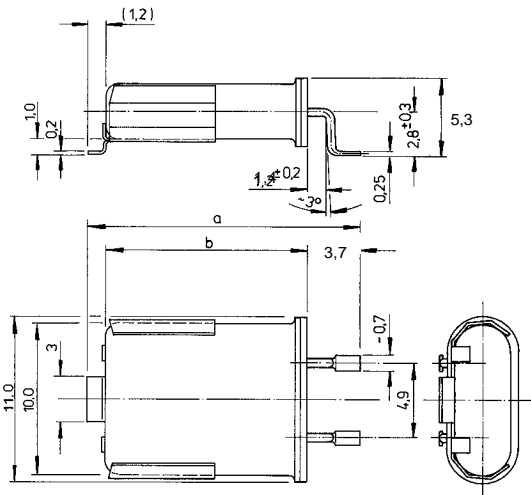
Crystal enclosure HC-52-SMD



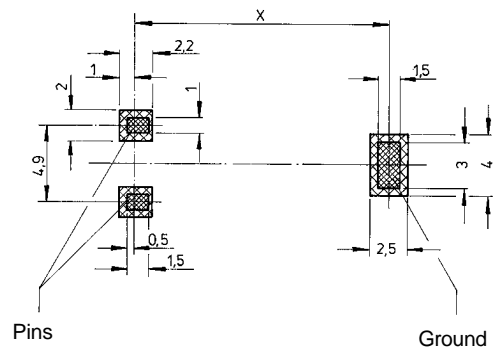
Contact pads for HC-52-SMD

Case	a	b	c	Case	X
HC-52/U-SMD	12.7	8.8	3.6	HC-52/U-SMD	11.2
HC-52/8mm-SMD	11.9	8.0	3.6	HC-52/8mm-SMD	10.4
HC-52/6mm-SMD	9.9	6.0	3.6	HC-52/6mm-SMD	8.4

HC-49-SMD



Crystal enclosure HC-49-SMD



Contact pads for HC-49-SMD

Case	a	b	Case	X
HC-49/U-SMD	18.0	13.4	HC-49/U-SMD	16.8
HC-49/11mm-SMD	16.1	11.5	HC-49/11mm-SMD	14.9
HC-49/9mm-SMD	14.6	9.8	HC-49/9mm-SMD	13.2

All dimensions in mm (max)

KVG Quartz Crystal Technology

D-74922 Neckarbischofsheim P.O.B. 61 74924 Neckarbischofsheim Waibstadter Strasse 2 - 4
 Tel: +49 (0) 7263 / 648 - 0 Fax: +49 (0) 7263 / 6196 e-mail: info@kvg-gmbh.de