



# XO-32000 Series

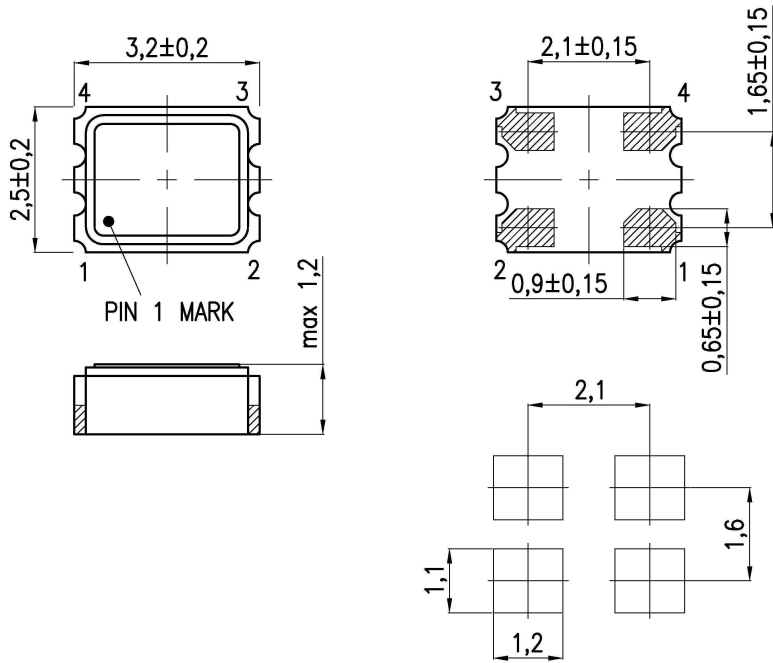


1. Specification			
<b>Type:</b>	<b>XO-32330</b>	<b>XO-32250</b>	<b>XO-32180</b>
Supply Voltage $V_S$ :	<b>+3.3 V <math>\pm</math> 5%</b>	<b>+2.5 V <math>\pm</math> 5%</b>	<b>+1.8 V <math>\pm</math> 5%</b>
Frequency range:	<b>1.0 ... 100 MHz</b>		
Frequency stability options:			
$\pm$ 25 ppm :	<b>XO-32331</b>	<b>XO-32251</b>	<b>XO-32181</b>
$\pm$ 50 ppm :	<b>XO-32332</b>	<b>XO-32252</b>	<b>XO-32182</b>
$\pm$ 100 ppm :	<b>XO-32333</b>	<b>XO-32253</b>	<b>XO-32183</b>
Frequency stability is considered as the overall stability including nominal frequency tolerance at +25°C, frequency stability vs. temperature, vs load changes. ( $\pm$ 5%), vs. supply voltage changes ( $\pm$ 5%) and 1 <sup>st</sup> year aging.			
Temp.range options			
-20°C to +70°C :	<b>S</b>		
-40°C to +85°C :	<b>E</b>		
TriState (E/D) Function:	N.C: Enable Logic High: Enable Logic Low: Disable, High Impedance		
Current consumption at 15 pF load:			
< 30 MHz:	$\leq$ 10 mA	$\leq$ 8 mA	$\leq$ 7 mA
< 75 MHz:	$\leq$ 15 mA	$\leq$ 10 mA	$\leq$ 8 mA
< 100 MHz:	$\leq$ 20 mA	$\leq$ 15 mA	$\leq$ 12 mA
Standby current	$\leq$ 10 uA		
Output voltage :	(LV)HCMOS		
level :	$V_{OL} < 10\% V_S, V_{OH} > 90\% V_S$		
load :	1 kOhm // 15 pF		
duty cycle:	45% ... 55%		
Phase jitter: (12 kHz to 20 MHz)	$\leq$ 1 ps rms		
2. Environmental conditions			
According to KVG Product Qualification Procedure AA-QM-200			
3. Marking			
Manufacturer's name, date code (week/year); Specification; Center frequency			

4				<b>KVG Quartz Crystal Technology GmbH</b> P.O. Box 61 D-74924 Neckarbischofsheim Tel. +49 (0) 7263 / 648-0 Fax. +49 (0) 7263 / 6196
3				
2				
1		22.03.10	M. Zupan	
ED	Description	Date	Name	

## 4. Case

Case Style : BF201-1.2



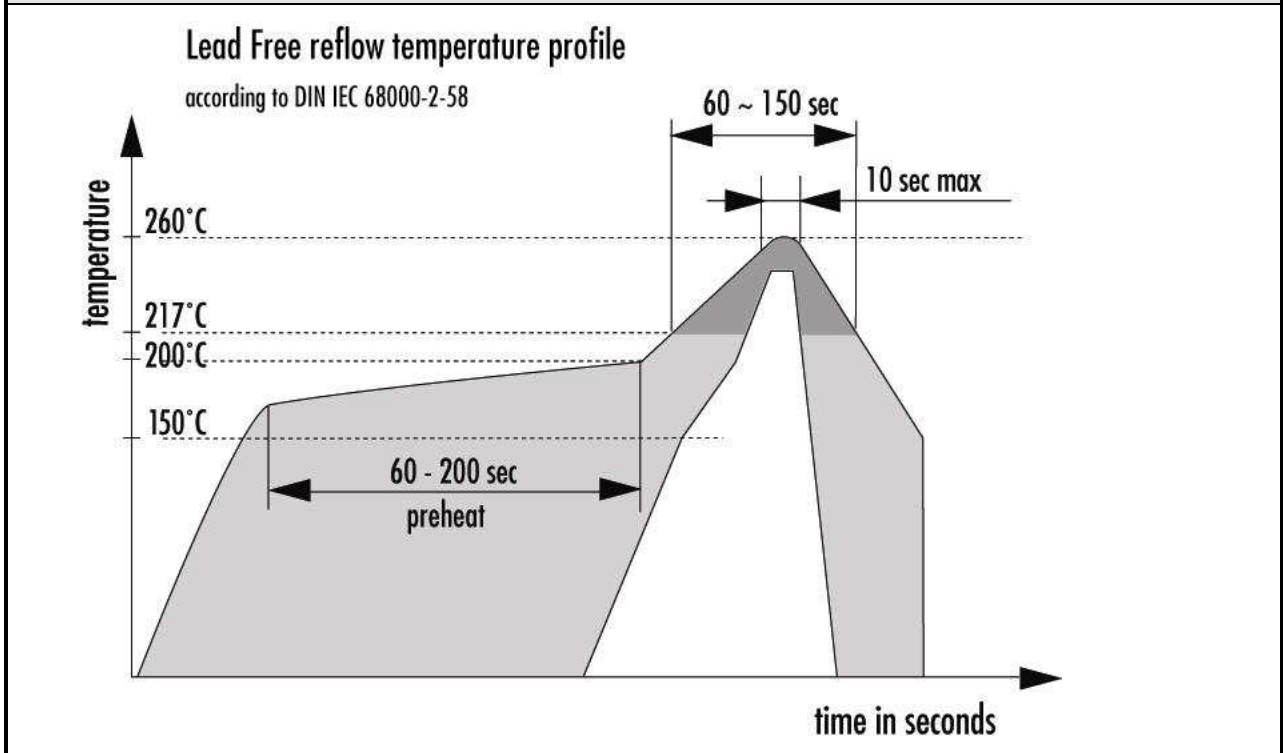
Recommended soldering pattern

### 1.Pin configuration

1. TriState (E/D) control
2. Ground case
3. RF output
4. Supply Voltage  $V_s$

4				<b>KVG Quartz Crystal Technology GmbH</b> P.O. Box 61 D-74924 Neckarbischofsheim Tel. +49 (0) 7263 / 648-0 Fax. +49 (0) 7263 / 6196
3				
2				
1		22.03.10	M. Zupan	
ED	Description	Date	Name	

## 5. Reflow Soldering Profile



4				<b>KVG Quartz Crystal Technology GmbH</b> P.O. Box 61 D-74924 Neckarbischofsheim Tel. +49 (0) 7263 / 648-0 Fax. +49 (0) 7263 / 6196
3				
2				
1		22.03.10	M. Zupan	
ED	Description	Date	Name	