

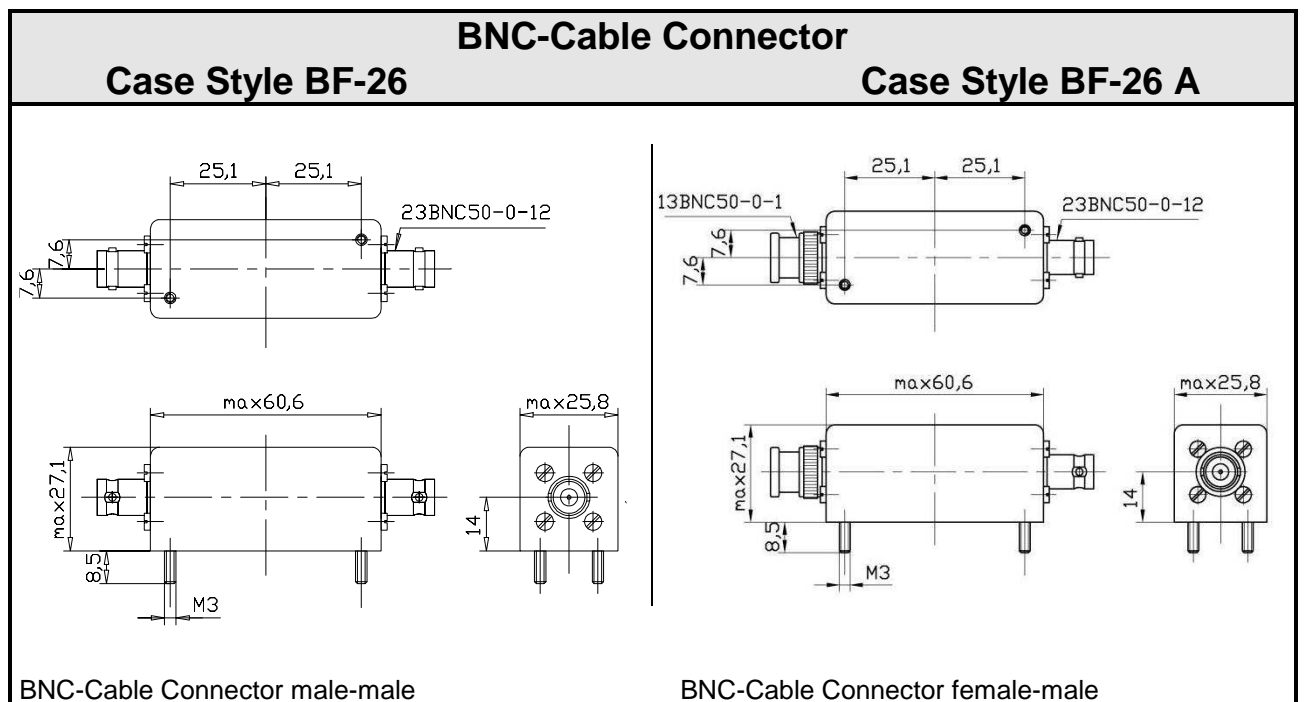


ROHS-Compliant Product

# Frontend Filters



Examples of our product range with BNC cable connectors < 100MHz									
Type	Frequency	Case Style	Passband		Stopband		Termination in/out (Ω)	POLE	Insertion loss max. dB
	MHz		dB	± kHz	dB	± kHz			
XF-59S01-LF	5,945	BF26	3	3	20	5	50	4	2
XF-99S03-LF	9,990	BF26	3	3	20	5	50	4	2
XF-102S03-LF	10,200	BF26	3	3	20	5	50	4	2
XF-300S10-LF	30,000	BF26	3	75	40	150	50	6	8
XF-700S15-LF	70,000	BF26	3	1,5	50	10	50	4	6
XF-700S17-LF	70,000	BF26	3	10	50	70	50	4	6
XF-700S36-LF	70,000	BF26	3	40	60	500	50	4	5
XF-705S01-LF	70,525	BF26	3	30	30	80	50	4	10
XF-767S01-LF	76,750	BF26	3	6	40	35	50	4	6
XF-768S01-LF	76,875	BF26	3	7,5	40	40	50	4	7
XF-769S02-LF	76,950	BF26	3	7	40	30	50	4	6
XF-770S03-LF	77,050	BF26	3	7	40	30	50	4	6
XF-780S04-LF	78,025	BF26	3	7,5	40	40	50	4	7
XF-854S01-LF	85,455	BF26	3	6,5	40	35	50	4	6
XF-999S01-LF	99,900	BF26	3	60	40	120	50	6	5



**KVG Quartz Crystal Technology GMBH**

D-74922 Neckarbischofsheim P.O.B. 61 74924 Neckarbischofsheim Waibstadter Strasse 2 - 4  
 Tel: +49 (0) 7263 / 648 - 0 Fax: +49 (0) 7263 / 6196 e-mail: info@kvg-gmbh.de