



ROHS-Compliant Product

Frontend Filters



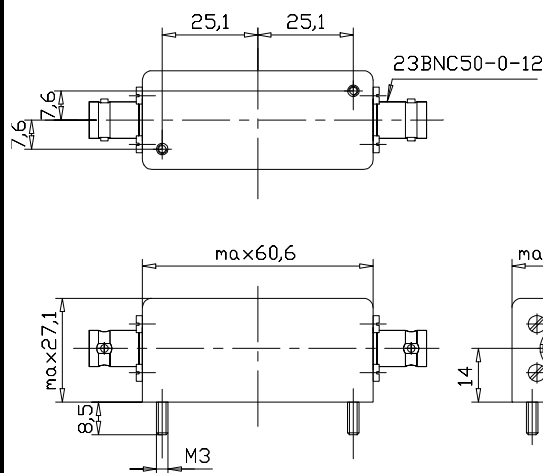
Examples of our product range with BNC cable connectors > 100MHz < 150MHz

Type	Frequency	Case Style	Passband		Stopband		Termination in/out	POLE	Insertion loss max.
	MHz		dB	± kHz	dB	± kHz	(Ω)		dB
XF-1160S01-LF	116,000	BF26	3	5	30	15	50	4	7
XF-1215S06-LF	121,500	BF26-A	3	7,5	40	40	50	4	7
XF-1237S02-LF	123,750	BF26	3	6,5	40	40	50	4	6
XF-1244S01-LF	124,425	BF26-A	3	7.5	40	40	50	4	7
XF-1275S01-LF	127,500	BF26	3	12	35	50	50	4	7
XF-1280S02-LF	128,075	BF26-A	3	7.5	40	40	50	4	7
XF-1297S01-LF	129,700	BF26	3	3	35	8	50	4	7
XF-1316S01-LF	131,650	BF26	3	6,75	20	30	50	4	6
XF-1326S02-LF	132,650	BF26-A	3	7.5	40	40	50	4	7
XF-1365S01-LF	136,500	BF26-A	3	7.5	40	40	50	4	7
XF-1421S04-LF	142,140	BF26	3	5	20	18	50	4	7
XF-1452S01-LF	145,225	BF26	3	10	30	35	50000	4	7
XF-1464S01-LF	146,410	BF26	3	10	40	35	60	4	6
XF-1473S03-LF	147,300	BF26	3	6	40	35	50	4	8
XF-1473S02-LF	147,325	BF26	3	6	40	35	50	4	8
XF-1493S02-LF	149,390	BF26	3	6,5	40	25	50	4	6
XF-1496S03-LF	149,675	BF26	3	7,5	40	35	50	4	8
XF-1499S01-LF	149,979	BF26	3	15	40	55	50	4	8

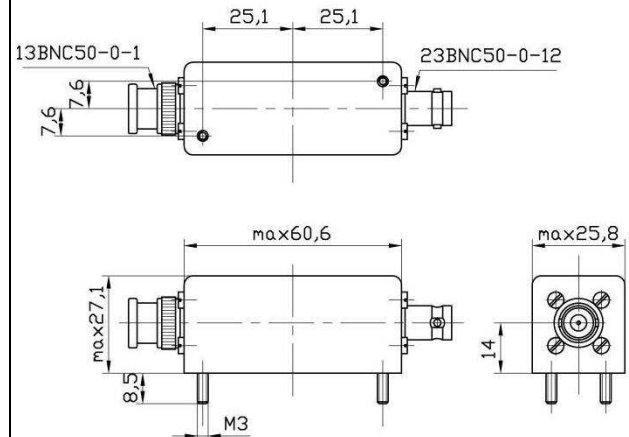
BNC-Cable Connector

Case Style BF-26

Case Style BF-26 A



BNC-Cable Connector male-male



BNC-Cable Connector female-male

KVG Quartz Crystal Technology GMBH

D-74922 Neckarbischofsheim P.O.B. 61 74924 Neckarbischofsheim Waibstadter Strasse 2 - 4
Tel: +49 (0) 7263 / 648 - 0 Fax: +49 (0) 7263 / 6196 e-mail: info@kvg-gmbh.de