

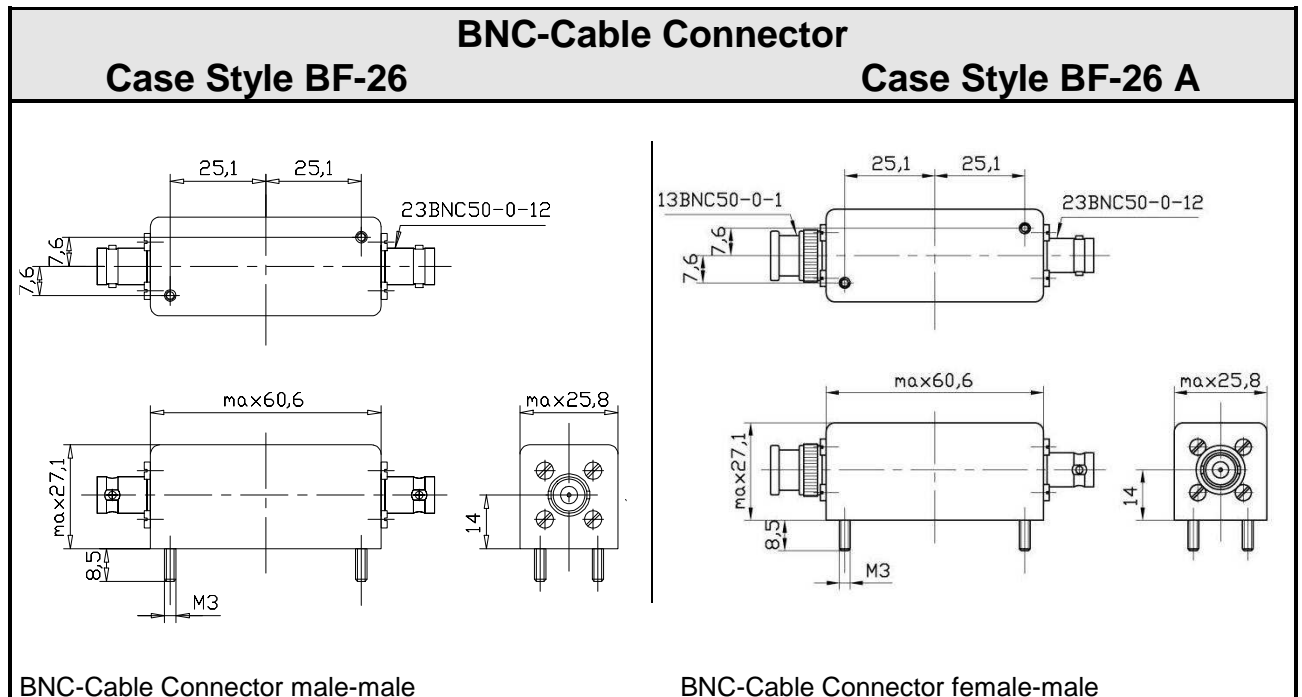


ROHS-Compliant Product

Frontend Filters



Examples of our product range with BNC cable connectors > 150MHz									
Type	Frequency	Case Style	Passband		Stopband		Termination in/out (Ω)	POLE	Insertion loss max. dB
	MHz		dB	± kHz	dB	± kHz			
XF-1505S01-LF	150,5750	BF26	3	6,5	40	35	50	4	7
XF-1512S01-LF	151,2500	BF26	3	7,5	40	40	50	4	7
XF-1538S01-LF	153,8700	BF26	3	6	40	54	50	4	5
XF-1548S01-LF	154,8500	BF26	3	12,5	40	50	50	4	7
XF-1564S01-LF	156,4500	BF26	3	4	45	25	50	4	7
XF-1566S01-LF	156,6000	BF26	3	4	45	25	50	4	7
XF-1588S01-LF	158,8700	BF26	3	12	20	50	50	4	7
XF-1671S01-LF	167,1300	BF26	3	6,75	20	30	50	4	6
XF-1682S02-LF	168,2250	BF26	3	3,75	40	25	50	4	8
XF-1711S04-LF	171,1250	BF26	3	12,5	40	50	50	4	7
XF-1719S02-LF	171,9375	BF26	3	6,5	20	30	50	4	6
XF-1726S01-LF	172,6250	BF26	3	6	40	35	50	4	8
XF-1737S01-LF	173,7875	BF26	3	7,5	40	40	50	4	8



KVG Quartz Crystal Technology GMBH

D-74922 Neckarbischofsheim P.O.B. 61 74924 Neckarbischofsheim Waibstadter Strasse 2 - 4
 Tel: +49 (0) 7263 / 648 - 0 Fax: +49 (0) 7263 / 6196 e-mail: info@kvg-gmbh.de