



ROHS-Compliant Product

Selectionfilter



Examples of our product range < 10.70 MHz

Type	Frequency	Case Style	Pass-band		Stopband		Termination in/out	POLE	Insertion loss max.
	MHz		dB	± kHz	dB	± kHz	(Ω)		dB
XF-4S06-LF	0,455	BF60	3	0,5	60	3	1200	4	3
XF-4S11-LF	0,455	BF60	6	0,085	40	0,22	500 // 30 pF	6	3
XF-10S01-LF	1,00	BF60	3	0,05	50	0,35	50	4	4
XF-25S01-LF	2,50	BF01	3	0,15	60	1	50	8	6
XF-25S04-LF	2,50	BF01	3	7,5	60	50	50	4	6
XF-25S02-LF	2,50155	BF01	3	1,25	60	3	50	8	5
XF-27S04	2,76480	BF01	3	3	60	7	50	8	5
XF-27S03	2,76635	BF01	3	1,25	60	3	50	8	6
XF-33S02-LF	3,325	BF02	3	0,3	60	2	500 // 25 pF	4	5
XF-50S25-LF	5,00	BF10-13.0	3	8	60	40	50	4	6
XF-50S14-LF	5,002	BF01	3	1,3	40	1,9	50	10	3,5
XF-74S01-LF	7,433	BF01	3	2	60	4,5	50	8	2
XF-100S46-LF	10,00	BF01	3	0,125	60	0,35	50	8	3
XF-100S10-LF	10,00	BF01	3	3,75	40	6	500 // 25 pF	8	4,5
XF-100S11-LF	10,00	BF01	3	7,5	40	11	500 // 25 pF	8	3,5
XF-100S32-LF	10,002	BF02	3	2	60	10	50	4	8

Examples of our product range > 10.7 MHz ≤ 21.4 MHz

Type	Frequency	Case Style	Passband		Ultimate attenuation		Termination in/out	POLE	Insertion loss max.
	MHz		dB	± kHz	dB	± kHz	(Ω)		dB
XF-107S223-LF	10,70028	BF01	3	0,5	60	5	50	4	4
XF-107S116-LF	10,7015	BF01	3	1,2	30	1,7	1500 // 25 pF	8	5
XF-107S168-LF	10,7052	BF01	3	3,5	60	8,5	50	8	3
XF-107S184-LF	10,71	BF01	3	1,3	60	9	250 // 25 pF	4	3
XF-107S227-LF	10,714	BF01	3	15	80	38	50	8	3,5
XF-107S247-LF	10,71428	BF01	3	2	70	5	50	8	4
XF-107S162-LF	10,72	BF01	6	1,2	60	3,5	150 // 25 pF	6	3,5
XF-107S185-LF	10,725	BF01	3	8	60	16	3000 // 25 pF	8	3
XF-107S229-LF	10,73225	BF01	3	27,75	20	31,25	50	8	7
XF-107S201-LF	10,75	BF01	3	2,5	60	5,5	50	8	3
XF-115S08-LF	11,50	BF01	3	17,5	60	30	2700 // 41 pF	8	3,5

KVG Quartz Crystal Technology GMBH

D-74922 Neckarbischofsheim P.O.B. 61 74924 Neckarbischofsheim Waibstadter Strasse 2 - 4
 Tel: +49 (0) 7263 / 648 - 0 Fax: +49 (0) 7263 / 6196 e-mail: info@kvg-gmbh.de



ROHS-Compliant Product

Selectionfilter



Examples of our product range > 10.7 MHz ≤ 21.4 MHz

Type	Frequency	Case Style	Passband		Ultimate attenuation		Termination in/out	POLE	Insertion loss max.
	MHz		dB	± kHz	dB	± kHz	(Ω)		dB
XF-122S01-LF	12,20	BF01	3	15	70	33	2000 // 25 pF	8	4,5
XF-128S01-LF	12,80	BF33	6	7	75	16	1800 // 30 pF	8	4
XF-132S01-LF	13,262	BF37	3	2	60	9	50	6	3
XF-145S01-LF	14,50	BF10-13.0	3	50	70	400	50	4	2
XF-150S03-LF	14,9985	BF01	6	1,1	10	1,5	1800	6	3,5
XF-150S05-LF	15,00	BF10-13.0	3	1	60	3	50	8	6
XF-214S70-LF	21,40	BF10-13.0	6	1,2	60	2,35	500 // 25 pF	8	6
XF-214S54-LF	21,40	BF10-13.0	3	3,75	70	8,5	910 // 15 pF	8	4,5
XF-214S07-LF	21,40	BF01	6	7,5	60	15	1000 // 25 pF	8	3,5
XF-214S62-LF	21,40	BF10-13.0	3	55	20	170	50	2	3
XF-214S67-LF	21,40	BF10-13.0	3	7,5	60	22	910 // 25 pF	8	4
XF-214S29-LF	21,40	BF10-15.9	3	20	80	75	910 // 15 pF	6	3,5
XF-214S03-LF	21,40	BF02	6	30	60	55	1200 // 25 pF	8	3
XF-214S143-LF	21,40	BF10-13.0	3	37,5	60	125	50	6	5
XF-214S25-LF	21,40	BF10-15.9	3	50	60	200	1500 // 15 pF	4	5
XF-214S111/2-LF	21,40	BF10-13.0	3	100	70	350	50	8	14

KVG Quartz Crystal Technology GMBH

D-74922 Neckarbischofsheim P.O.B. 61 74924 Neckarbischofsheim Waibstadter Strasse 2 - 4
 Tel: +49 (0) 7263 / 648 - 0 Fax: +49 (0) 7263 / 6196 e-mail: info@kvg-gmbh.de

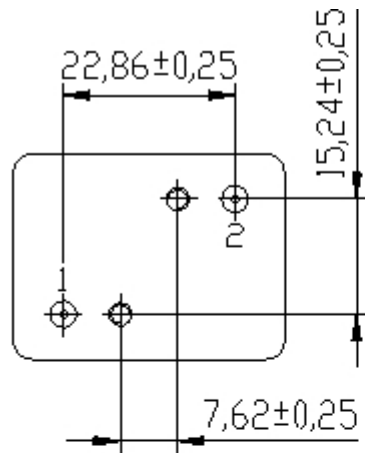


ROHS-Compliant Product

Selectionfilter



Case Style BF01; BF02; BF37

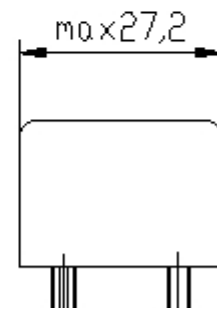
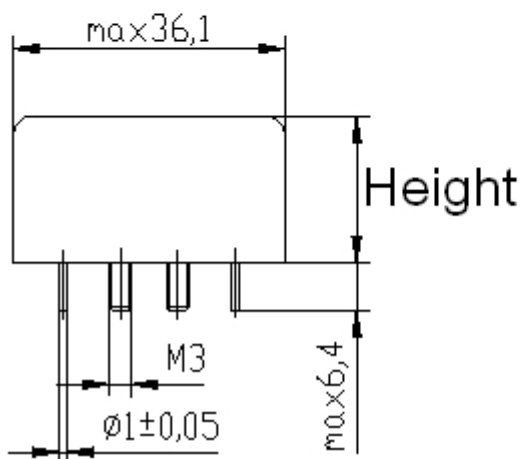


DIN IEC 49(CO)20E

Typ F01

1 = IN

2 = OUT

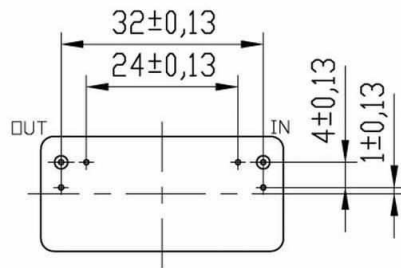


Height: BF01 max 19.4mm
BF02 max 14 mm
BF37 max 18 mm

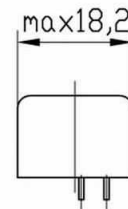
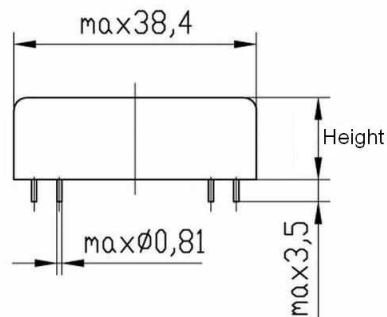
KVG Quartz Crystal Technology GMBH

D-74922 Neckarbischofsheim P.O.B. 61 74924 Neckarbischofsheim Waibstadter Strasse 2 - 4
Tel: +49 (0) 7263 / 648 - 0 Fax: +49 (0) 7263 / 6196 e-mail: info@kvg-gmbh.de

Case Style BF10-13.0; BF10-15.9

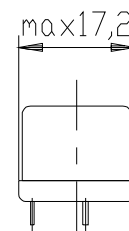
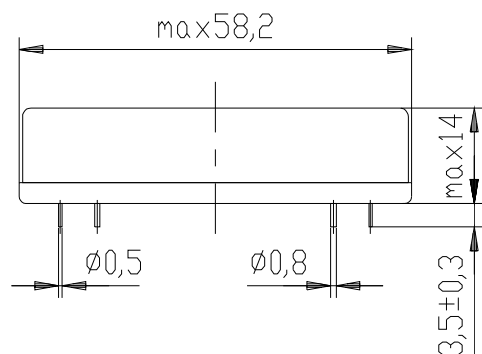
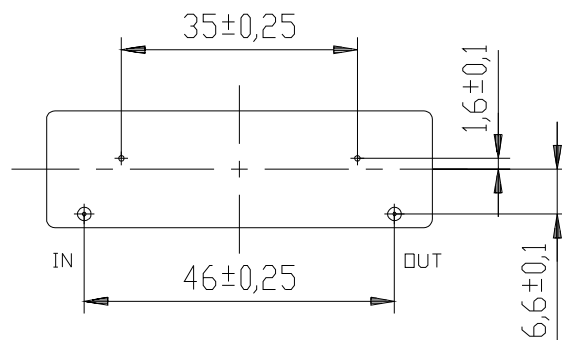


DIN IEC 49(CO)208
Typ F02



Height: BF10-13.0 = 13.0 mm
BF10-15.9 = 15.9 mm

Case Style BF33



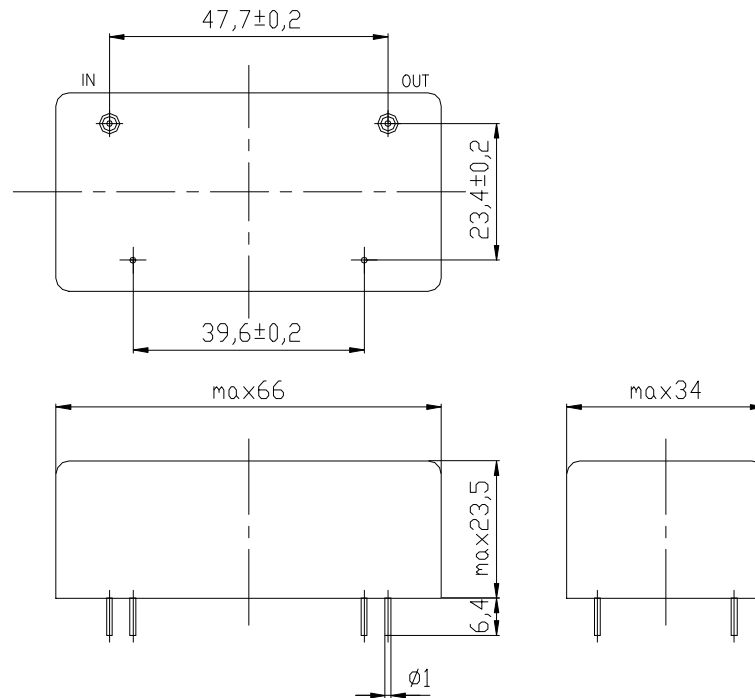


ROHS-Compliant Product

Selectionfilter



Case Style BF60



KVG Quartz Crystal Technology GMBH

D-74922 Neckarbischofsheim P.O.B. 61 74924 Neckarbischofsheim Waibstadter Strasse 2 - 4
Tel: +49 (0) 7263 / 648 - 0 Fax: +49 (0) 7263 / 6196 e-mail: info@kvg-gmbh.de