



ROHS-Compliant Product

Selectionfilter



Examples of our product range ≥ 100 MHz

Type	Frequency	Case Style	Passband		Stopband		Termination in/out	POLE	Insertion loss max.
	MHz		dB	\pm kHz	dB	\pm kHz	(Ω)		dB
XF-1000S03-LF	100,00	BF10-13.0	3	2	70	25	50	4	8
XF-1001S01-LF	100,1106	BF33	3	7	60	25	50	6	7
XF-1002S01-LF	100,20	BF33	3	7,5	60	25	500	6	6
XF-1004S01-LF	100,45	BF33	3	7	60	25	50	6	6
XF-1008S01-LF	100,896	BF200-10.0	0,5	5	18	30	50	2	3
XF-1012S02-LF	101,25	BF33	3	7	60	25	50	6	6
XF-1018S03-LF	101,80	BF10-13.0	3	12	60	100	50	4	8
XF-1080S04-LF	108,00	BF10-13.0	3	7,5	50	30	50	4	8
XF-1080S01-LF	108,02	BF10-13.0	3	7,5	50	30	50	4	8
XF-1080S05-LF	108,025	BF10-13.0	3	7,5	50	30	50	4	8
XF-1080S02-LF	108,03	BF10-13.0	3	7,5	50	30	50	4	8
XF-1080S03-LF	108,05	BF10-13.0	3	7,5	50	30	50	4	8
XF-1080S06-LF	108,075	BF10-13.0	3	7,5	50	30	50	4	8
XF-1081S01-LF	108,10	BF10-13.0	3	7,5	50	30	50	4	8
XF-1180S01-LF	118,00	BF10-13.0	3	7,5	40	40	50	4	7
XF-1196S01-LF	119,65	BF10-13.0	3	7,5	40	40	50	4	7
XF-1200S02-LF	120,00	BF10-13.0	3	6,5	40	35	50	4	7
XF-1212S01-LF	121,25	BF10-13.0	3	7,5	40	40	50	4	7
XF-1213S01-LF	121,30	BF10-13.0	3	7,5	40	40	50	4	7
XF-1214S01-LF	121,40	BF10-13.0	3	7,5	40	40	50	4	7
XF-1215S03-LF	121,50	BF10-13.0	3	7,5	40	40	50	4	7
XF-1245S01-LF	124,50	BF10-13.0	3	7,5	40	40	50	4	7
XF-1309S01-LF	130,90	BF10-13.0	3	7,5	40	40	50	4	7
XF-1322S01-LF	132,225	BF10-13.0	3	7,5	40	40	50	4	7
XF-1458S01-LF	145,85	BF10-13.0	3	7,5	40	35	50	4	6
XF-1544S01-LF	154,4125	BF10-13.0	3	7,5	40	35	50	4	7
XF-1684S01-LF	168,40	BF10-13.0	3	10	40	55	50	4	8
XF-2107S01-LF	210,70	BF10-13.0	3	50	60	500	50	4	10
XF-5000S01-LF	500,00	BF10-13.0	3	10			50	4	12

KVG Quartz Crystal Technology GMBH

D-74922 Neckarbischofsheim P.O.B. 61 74924 Neckarbischofsheim Waibstadter Strasse 2 - 4
 Tel: +49 (0) 7263 / 648 - 0 Fax: +49 (0) 7263 / 6196 e-mail: info@kvg-gmbh.de

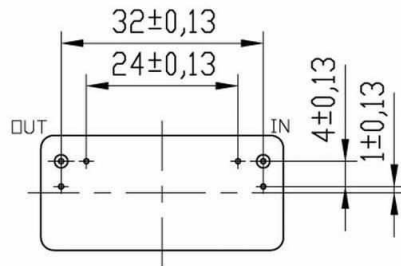


ROHS-Compliant Product

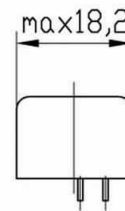
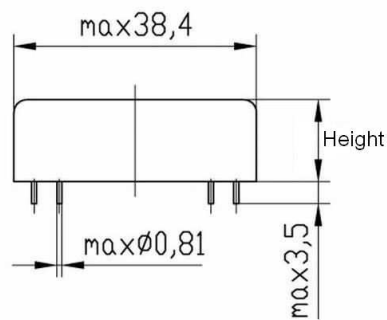
Selectionfilter



Case Style BF10-13.0

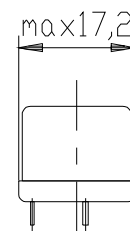
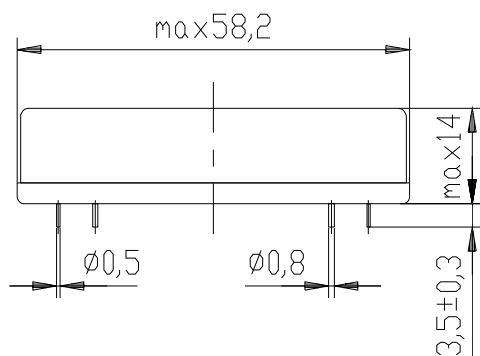
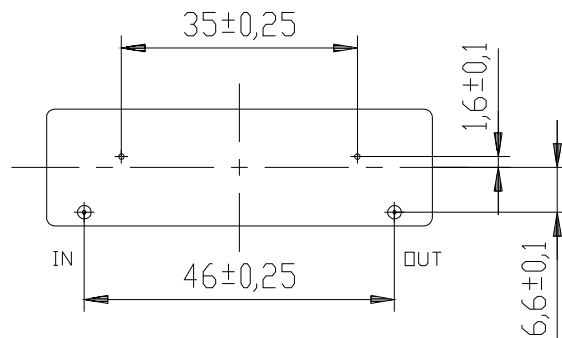


DIN IEC 49(CO)208
Typ F02



Height: BF10-13.0 = 13.0 mm

Case Style BF33



KVG Quartz Crystal Technology GMBH

D-74922 Neckarbischofsheim P.O.B. 61 74924 Neckarbischofsheim Waibstadter Strasse 2 - 4
Tel: +49 (0) 7263 / 648 - 0 Fax: +49 (0) 7263 / 6196 e-mail: info@kvg-gmbh.de

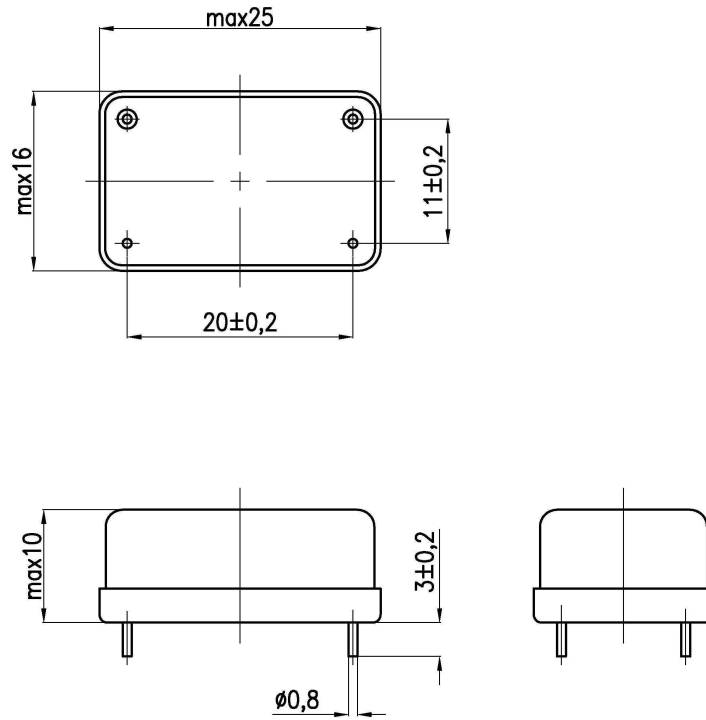


ROHS-Compliant Product

Selectionfilter



Case Style BF200-10.0



KVG Quartz Crystal Technology GMBH

D-74922 Neckarbischofsheim P.O.B. 61 74924 Neckarbischofsheim Waibstadter Strasse 2 - 4
Tel: +49 (0) 7263 / 648 - 0 Fax: +49 (0) 7263 / 6196 e-mail: info@kvg-gmbh.de