



ROHS-Compliant Product

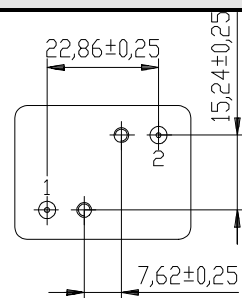
Monolith-Selectionfilter



Examples of our product range ≤ 10.70 MHz

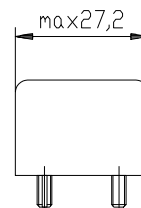
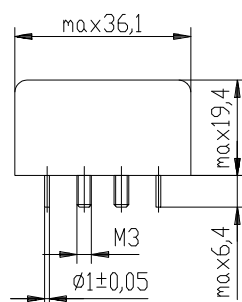
| Type | Frequency | Case Style | Pass-band | | Stopband | | Termination in/out (Ω) | POLE | Insertion loss max. |
|----------------|-----------|------------|-----------|-------|----------|-------|------------------------------|------|------------------------|
| | MHz | | dB | ± kHz | dB | ± kHz | | | dB |
| XFM-9S09-LF | 8,9985 | BF15 | 6 | 1,2 | 30 | 1,7 | 500 // 30 pF | 8 | 5 |
| XFM-100S25-LF | 10,00 | BF10-13.0 | 6 | 1,5 | 60 | 4,5 | 50 | 8 | 5 |
| XFM-100S01-LF | 10,00 | BF10-13.0 | 6 | 7,5 | 70 | 16 | 910 // 25 pF | 8 | 3,5 |
| XFM-107S153-LF | 10,70 | BF10-15.9 | 3 | 0,5 | 70 | 5 | 50 | 8 | 4 |
| XFM-107S67-LF | 10,70 | BF15 | 3 | 3 | 90 | 10,5 | 910 // 25 pF | 8 | 3,5 |
| XFM-107W-LF | 10,70 | BF13 | 3 | 6 | 40 | 20 | 4700 // 1 pF | 4 | 2 |
| XFM-107A-LF | 10,70 | BF10-15.9 | 3 | 6 | 65 | 14 | 910 // 25 pF | 8 | 3,5 |
| XFM-107S51-LF | 10,70 | BF10-13.0 | 3 | 6 | 90 | 12 | 910 // 25 pF | 12 | 4 |
| XFM-107S80-LF | 10,70 | BF01 | 3 | 7,5 | 30 | 20 | 910 // 20 pF | 4 | 4 |
| XFM-107S10-LF | 10,70 | BF05 | 3 | 7,5 | 60 | 15 | 5000 | 8 | 3,5 |
| XFM-107S45-LF | 10,70 | BF10-13.0 | 2 | 10 | 60 | 30 | 300 // 10 pF | 8 | 4 |
| XFM-107S76-LF | 10,70 | BF10-15.9 | 6 | 10 | 60 | 20 | 910 // 25 pF | 8 | 3 |
| XFM-107S70-LF | 10,70 | BF14 | 3 | 15 | 50 | 60 | 910 // 25 pF | 4 | 3 |
| XFM-107S84-LF | 10,700001 | BF10-13.0 | 3 | 3 | 60 | 6 | 910 // 25 pF | 10 | 4 |
| XFM-107S138-LF | 10,70 | BF01 | 3 | 15 | 70 | 33 | 50 | 8 | 4,5 |

Case Style BF01



DIN IEC 49(CO)208
Typ F01

1 = IN
2 = OUT



KVG Quartz Crystal Technology GMBH

D-74922 Neckarbischofsheim P.O.B. 61 74924 Neckarbischofsheim Waibstadter Strasse 2 - 4
Tel: +49 (0) 7263 / 648 - 0 Fax: +49 (0) 7263 / 6196 e-mail: info@kvg-gmbh.de

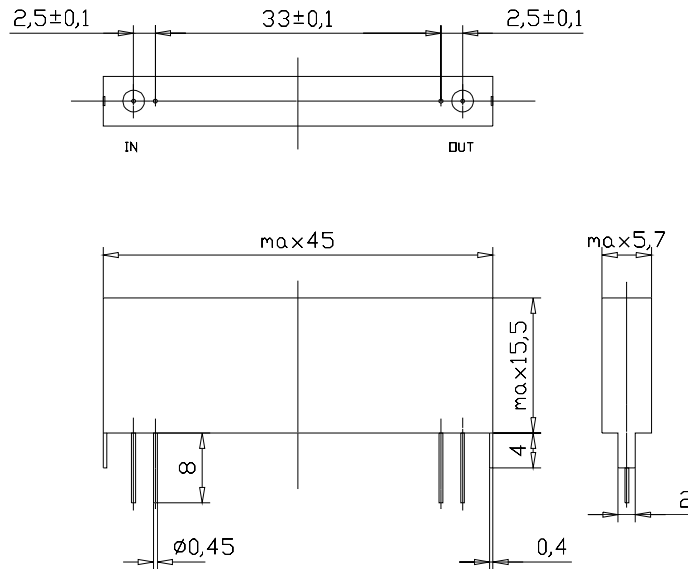


ROHS-Compliant Product

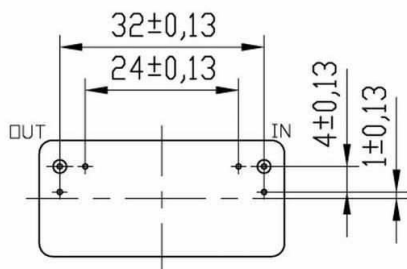
Monolith-Selectionfilter



Case Style BF05

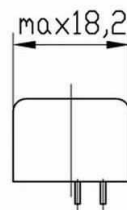
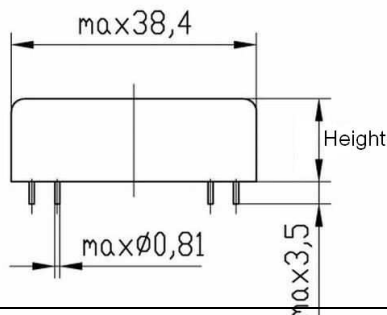


Case Style BF10-13.0; BF10-15.9



DIN IEC 49(C0)208
Typ F02

BF10-13.0 Height = 13.0mm
BF10-15.9 Height = 15.9mm



KVG Quartz Crystal Technology GMBH

D-74922 Neckarbischofsheim P.O.B. 61 74924 Neckarbischofsheim Waibstadter Strasse 2 - 4
Tel: +49 (0) 7263 / 648 - 0 Fax: +49 (0) 7263 / 6196 e-mail: info@kvg-gmbh.de

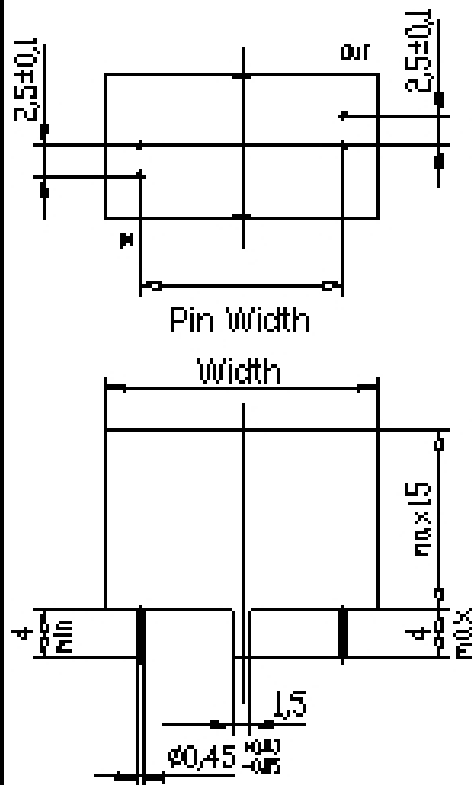


ROHS-Compliant Product

Monolith-Selectionfilter



Case Style BF13 / BF14 / BF15



DIN IEC 49(CO)206
Typ F06

Dimensions

| | Width max. | Pin-Width ± 0.25 |
|------|---------------|---------------------|
| BF13 | 15.0 | 9.0 |
| BF14 | 18.5 | 13.4 |
| BF15 | 23.0 | 17.8 |

KVG Quartz Crystal Technology GMBH

D-74922 Neckarbischofsheim P.O.B. 61 74924 Neckarbischofsheim Waibstadter Strasse 2 - 4
Tel: +49 (0) 7263 / 648 - 0 Fax: +49 (0) 7263 / 6196 e-mail: info@kvg-gmbh.de