



ROHS-Compliant Product

Monolith-Selectionfilter



Examples of our product range > 10.7 MHz ≤ 21.4 MHz

Type	Frequency	Case Style	Passband		Stopband		Termination in/out	POLE	Insertion loss max.
	MHz		dB	± kHz	dB	± kHz	(Ω)		dB
XFM-107S140-LF	10,75	BF13	3	6	45	14	3900 // 1 pf	6	3
XFM-110S01-LF	11,00	BF14	3	9	60	20	6800 // 0,5 pf	8	4
XFM-115S02-LF	11,50	BF14	3	7,5	60	15	3800	8	3,5
XFM-115S05-LF	11,50	BF10-13.0	3	10,5	90	30	50	8	4
XFM-125S01-LF	12,50	BF14	3	3,75	70	9	1500 // 1,5 pf	8	3,5
XFM-135S01-LF	13,5750	BF15	3	10	100	25	3900	10	4
XFM-145S01-LF	14,522667	BF19	3	9	10	13	4000	8	3,5
XFM-150S03-LF	15,00	BF10-13.0	3	9	70	17	50	10	3,5
XFM-153S01-LF	15,30	BF15	6	7,5	70	16	1000 // 1,5 pf	8	3
XFM-157S01-LF	15,70	BF14	3	8	80	20	2000 // 1 pf	8	4
XFM-157S02-LF	15,70	BF14	3	16	80	40	4500	8	4
XFM-169S01-LF	16,90	BF14	3	3,75	50	6,5	680 // 8 pf	8	3
XFM-195S01-LF	19,50	BF15	3	6	50	25	50	4	3
XFM-200S05-LF	20,00	BF19	3	3	60	12	910 // 3 pf	8	4
XFM-200S14-LF	20,00	BF15	3	6	50	25	50	4	3
XFM-200S19-LF	20,00	BF10-13.0	3	7,5	70	17	50 // 25 pf	8	3
XFM-210S04-LF	21,00	BF15	3	3,75	40	12,5	50	4	3
XFM-210S02-LF	21,00	BF15	3	6	80	25	50	6	3
XFM-213S11-LF	21,39625	BF15	3	3,75	70	9	910 // 15 pf	8	3,5
XFM-214S40-LF	21,40	BF14	0,4	14	10	45	1300 // 15 pf	4	2
XFM-214FX-LF	21,40	BF15	3	3,75	70	7,5	910 // 2 pf	10	5
XFM-214S14-LF	21,40	BF05	3	5	70	12	1200 // 2 pf	8	4
XFM-214W-LF	21,40	BF13	3	6	40	20	1500 // 1 pf	4	2
XFM-214S60-LF	21,40	BF31	3	15	65	32	1800 // 20 pf	8	3,5
XFM-214S72-LF	21,40	BF10-13.0	3	19,5	60	42	2500 // -1 pf	10	4
XFM-214S26-LF	21,40	BF14	6	7,5	20	10	1600	8	4
XFM-214S162-LF	21,40	BF10-13.0	6	3,45	60	6,68	50	10	5

KVG Quartz Crystal Technology GMBH

D-74922 Neckarbischofsheim P.O.B. 61 74924 Neckarbischofsheim Waibstadter Strasse 2 - 4
 Tel: +49 (0) 7263 / 648 - 0 Fax: +49 (0) 7263 / 6196 e-mail:info@kvg-gmbh.de

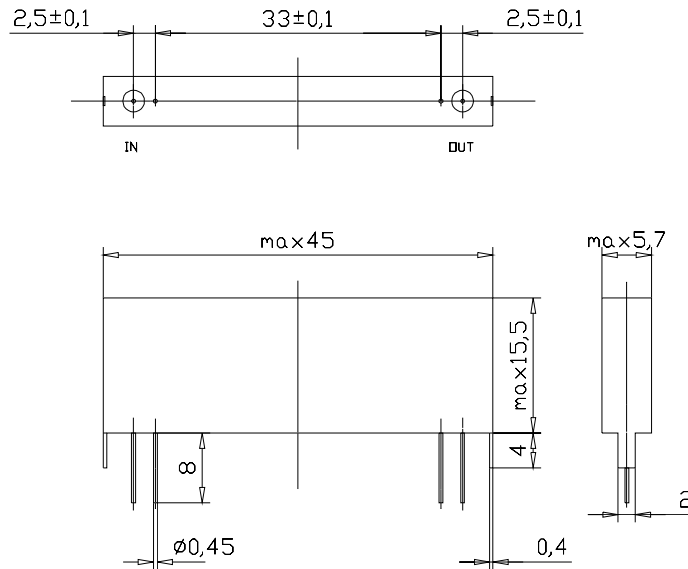


ROHS-Compliant Product

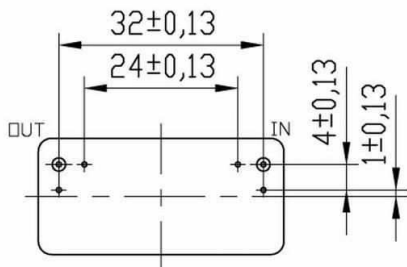
Monolith-Selectionfilter



Case Style BF05

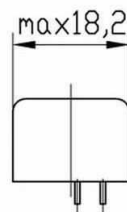
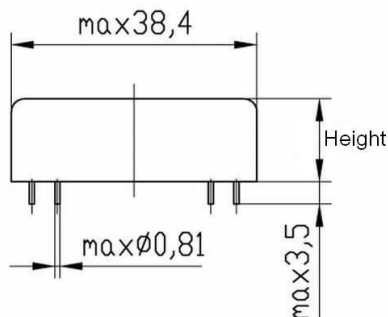


Case Style BF10-13.0



DIN IEC 49(C0)208
Typ F02

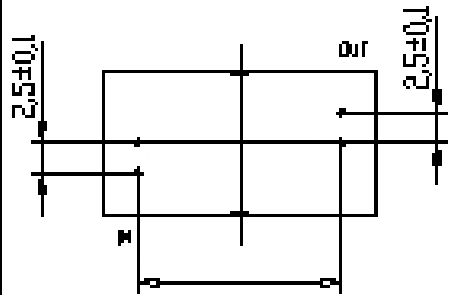
BF10-13.0 Height = 13.0mm



KVG Quartz Crystal Technology GMBH

D-74922 Neckarbischofsheim P.O.B. 61 74924 Neckarbischofsheim Waibstadter Strasse 2 - 4
Tel: +49 (0) 7263 / 648 - 0 Fax: +49 (0) 7263 / 6196 e-mail: info@kvg-gmbh.de

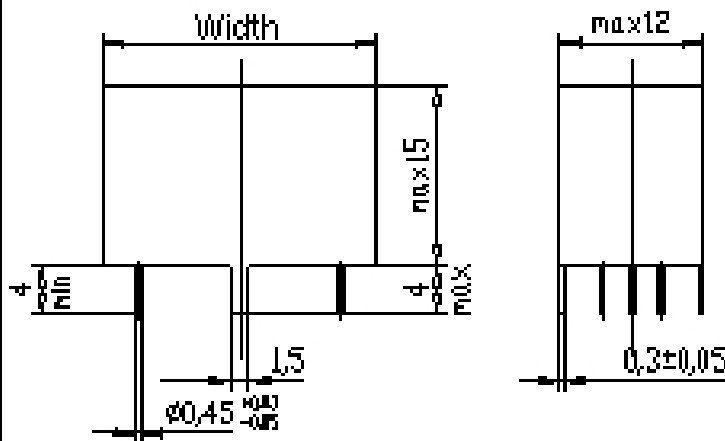
Case Style BF13 / BF14 / BF15



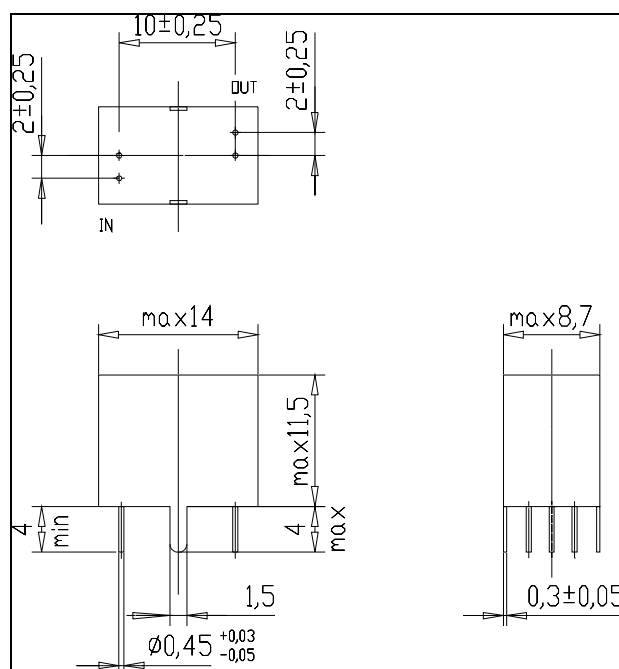
DIN IEC 49(CO)206
Typ F06

Dimensions

	Width max.	Pin-Width ± 0.25
BF13	15.0	9.0
BF14	18.5	13.4
BF15	23.0	17.8



Case Style BF19



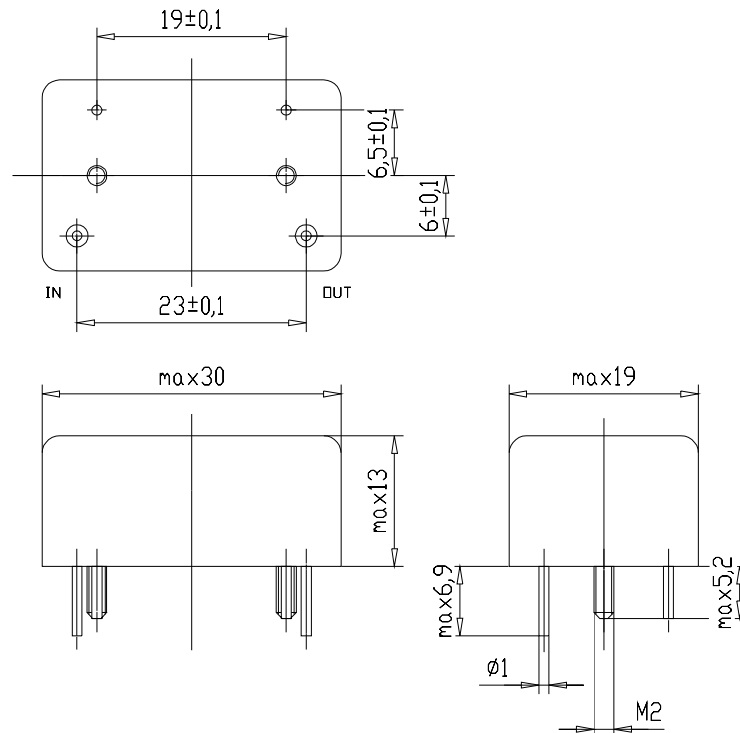


ROHS-Compliant Product

Monolith-Selectionfilter



Case Style BF31



KVG Quartz Crystal Technology GMBH

D-74922 Neckarbischofsheim P.O.B. 61 74924 Neckarbischofsheim Waibstadter Strasse 2 - 4
Tel: +49 (0) 7263 / 648 - 0 Fax: +49 (0) 7263 / 6196 e-mail: info@kvg-gmbh.de