



ROHS-Compliant Product

Diskriminator



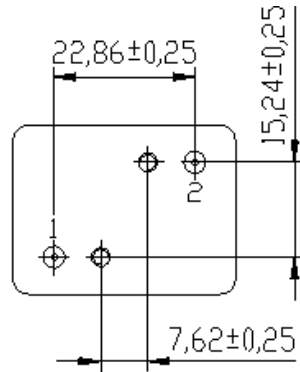
Examples of our product range – full metal package

Type	Frequency	Case Style	Peak SLR	Slope	Termination in	Termination out
	MHz		kHz	mV / kHz	Ω / pF	k Ω / pF
XD-9-01-LF	9,00	BF02	$\pm 5,0$	250	500 / 30	100
XD-9D-LF	9,00	BF02	$\pm 7,0$	220	500 / 30	220
XD-100S04-LF	10,00	BF02	$\pm 100,0$	4	500 / 30	100 / 30
XD-107S09-LF	10,68	BF40	$\pm 20,0$	80	500 / 30	220
XD-107K-LF	10,70	BF40	$\pm 10,0$	130	500 / 30	220
XD-107S11-LF	10,70	BF02	$\pm 50,0$	20	500 / 30	100
XD-107S12-LF	10,70	BF10-13.0	$\pm 50,0$	20	500 / 30	100
XD-115S01-LF	11,50	BF02	$\pm 30,0$	50	500 / 30	100
XD-175S01-LF	17,52	BF02	$\pm 30,0$	25	500 / 30	100
XD-206S01-LF	20,60	BF02	$\pm 30,0$	25	500 / 30	100
XD-214S01-LF	21,40	BF02	$\pm 30,0$	15	500 / 30	100
XD-214S04-LF	21,40	BF40	$\pm 50,0$	20	500 / 30	220
XD-214S07-LF	21,40	BF71	$\pm 35,0$	40	500 / 30	220
XD-214S09-LF	21,40	BF01	$\pm 250,0$	8	50	100
XD-214S10-LF	21,40	BF78	$\pm 150,0$	7,5	50	100
XD-214S11-LF	21,40	BF10-13.0	$\pm 75,0$	8	500 / 30	140 / 10
XD-314S01-LF	31,40	BF40	$\pm 12,0$	250	500 / 30	100
XD-450S01-LF	45,00	BF10-13.0	$\pm 30,0$	15	500 / 30	140

KVG Quartz Crystal Technology GMBH

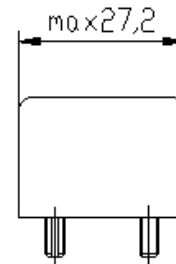
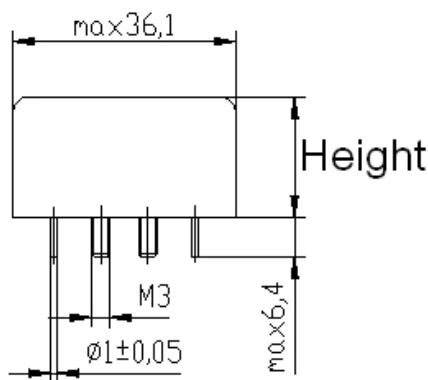
D-74922 Neckarbischofsheim P.O.B. 61 74924 Neckarbischofsheim Waibstadter Strasse 2 - 4
Tel: +49 (0) 7263 / 648 - 0 Fax: +49 (0) 7263 / 6196 e-mail: info@kvg-gmbh.de

Case Style BF01; BF02; BF37



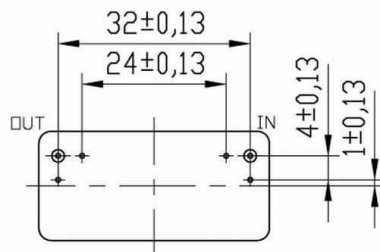
DIN IEC 49(CO)20E
Typ F01

1 = IN
2 = OUT

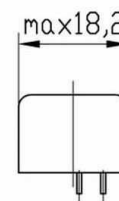
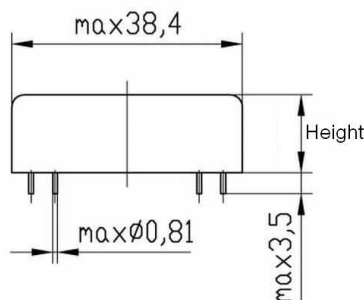


Height:
BF01 max 19.4mm
BF02 max 14 mm
BF37 max 18 mm

Case Style BF10-13.0; BF10-15.9



DIN IEC 49(CO)208
Typ F02



Height: BF10-13.0 = 13.0 mm
BF10-15.9 = 15.9 mm

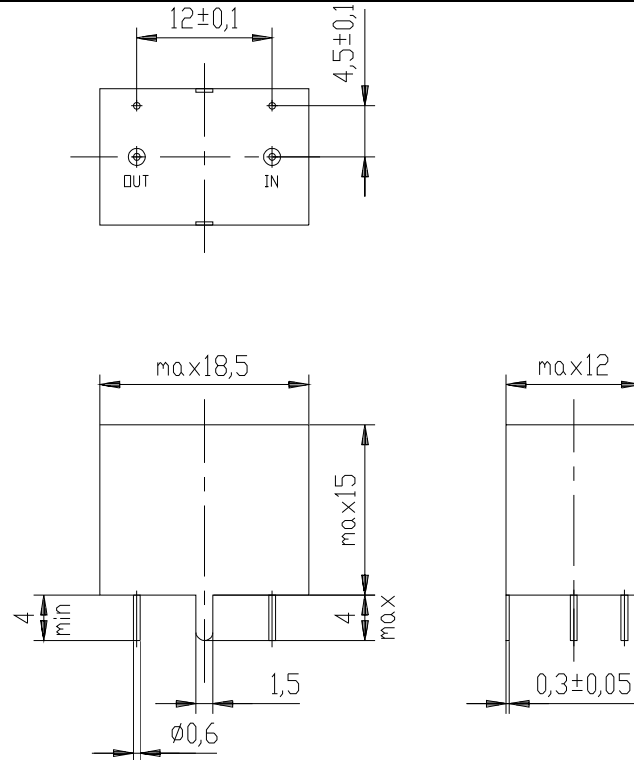


ROHS-Compliant Product

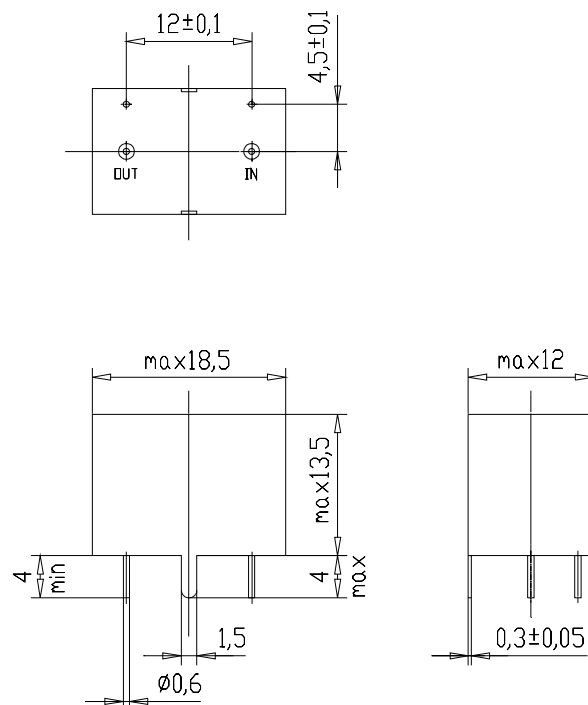
Diskriminator



Case Style BF40



Case Style BF71



KVG Quartz Crystal Technology GMBH

D-74922 Neckarbischofsheim P.O.B. 61 74924 Neckarbischofsheim Waibstadter Strasse 2 - 4
Tel: +49 (0) 7263 / 648 - 0 Fax: +49 (0) 7263 / 6196 e-mail: info@kvg-gmbh.de

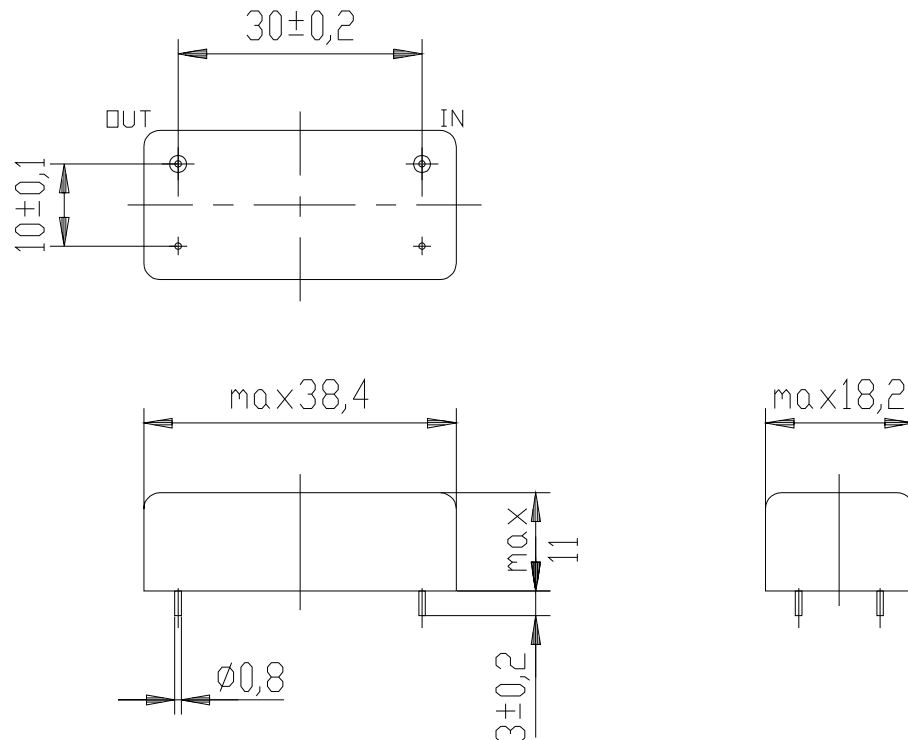


ROHS-Compliant Product

Diskriminator



Case Style BF78



KVG Quartz Crystal Technology GMBH

D-74922 Neckarbischofsheim P.O.B. 61 74924 Neckarbischofsheim Waibstadter Strasse 2 - 4
Tel: +49 (0) 7263 / 648 - 0 Fax: +49 (0) 7263 / 6196 e-mail: info@kvg-gmbh.de