



Notch filter



Description:

- Discrete component filter from 2 up to 5 poles with Center Frequency between 5.0MHz and 160.0MHz defined. Other frequencies on demand.
- Various packages defined
 - full metal package hermetically sealed for through hole soldering
 - full metal package with cable connectors
 - SMD FR4 Package



FEATURES:

- Temp range up to -40°C...+85°C
- RoHS, PB-free
- very good shock and vibration resistance
- max. input power 1mW

APPLICATIONS:

- To mask out specific unwanted frequency.



ROHS-Compliant Product

Notch filter



Examples of our product range

Type	Frequency Fc	Case Style	Stopband		Attenuation at Fc	Termination in/out	POLE	Insertion loss max.
	MHz		dB	± kHz	dB	(Ω)		dB
XFS-50S01-LF	5,00	BF01				50	3	
XFS-100S01-LF	10,00	BF01				50	3	
XFS-214S01-LF	21,40	BF90	60	0,5	60	50	5	6
XFS-691S01-LF	69,19	BF41			40	50	4	5
XFS-800S02-LF	80,00	BF06	15	16	15	50	2	10
XFS-800S01-LF	80,002	BF26	20	0,5	20	50	1	3
XFS-1044S01-LF	104,448	BF26-A	60	0,1	60	50	4	3
XFS-1200S01-LF	120,00	BF90	50	5	50	50	5	3,5
XFS-1200S02-LF	120,00	BF10SMD-14.9	50	5	50	50	5	3,5
XFS-1514S01-LF	151,43	BF88-A	27	15	30	50	2	2,5
XFS-1565S01-LF	156,50	BF10-15.9	27	15	30	50	2	2,5
XFS-1565S03-LF	156,50	BF90	27	15	30	50	2	2,5
XFS-1565S02-LF	156,525	BF10-15.9	27	15	30	50	2	2,5
XFS-1565S04-LF	156,525	BF90	27	15	30	50	2	2,5
XFS-1565S05-LF	156,55	BF90	30	15	30	50	2	3
XFS-1568S01-LF	156,80	BF10-15.9	27	15	30	50	2	2,5
XFS-1568S02-LF	156,80	BF90	27	15	30	50	2	2,5

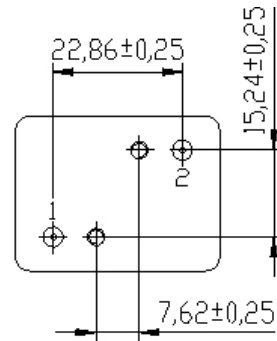
KVG Quartz Crystal Technology GMBH

D-74922 Neckarbischofsheim P.O.B. 61 74924 Neckarbischofsheim Waibstadter Strasse 2 - 4
 Tel: +49 (0) 7263 / 648 - 0 Fax: +49 (0) 7263 / 6196 e-mail: info@kvg-gmbh.de

Notch filter

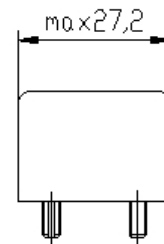
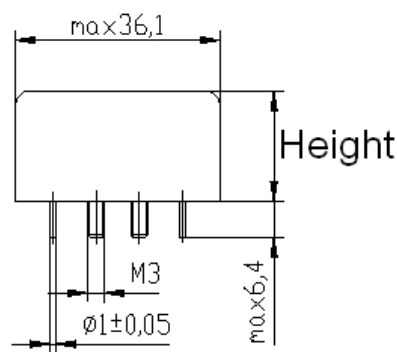


Case Style BF01



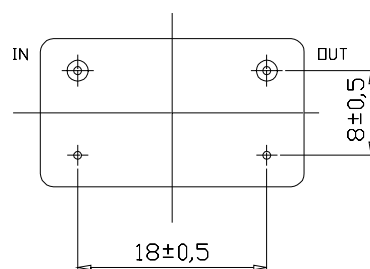
DIN IEC 49(C0)20E
Typ F01

1 = IN
2 = OUT

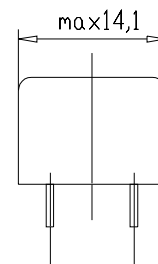
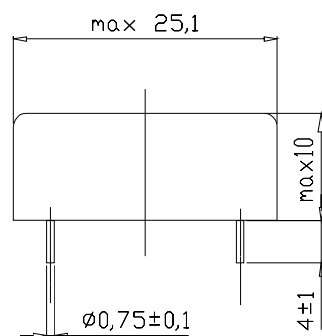


Height: BF01 max 19.4mm

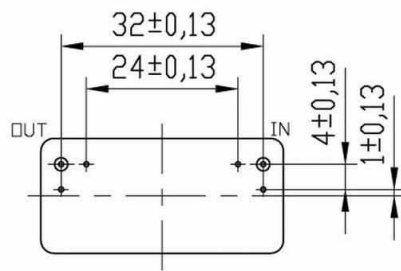
Case Style BF06



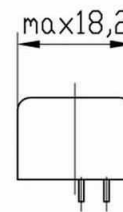
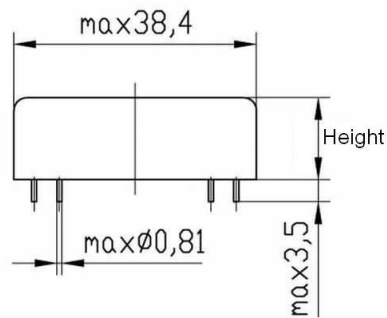
DIN 45161
Typ LF04



Case Style BF10-15.9

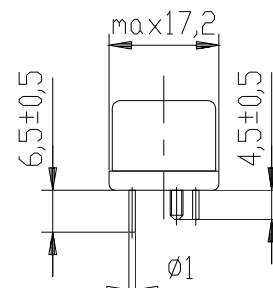
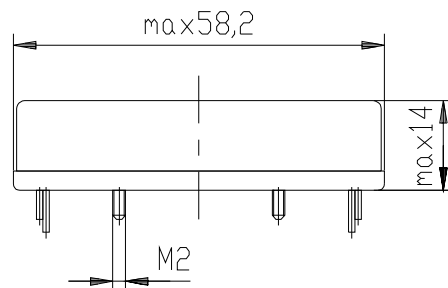
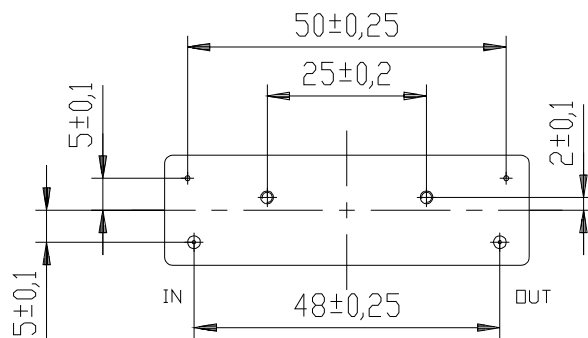


DIN IEC 49(CO)208
Typ F02



Height: BF10-15.9 = 15.9 mm

Case Style BF41



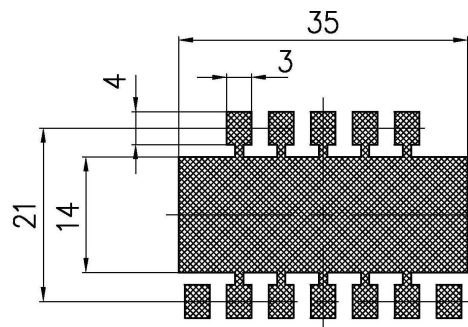
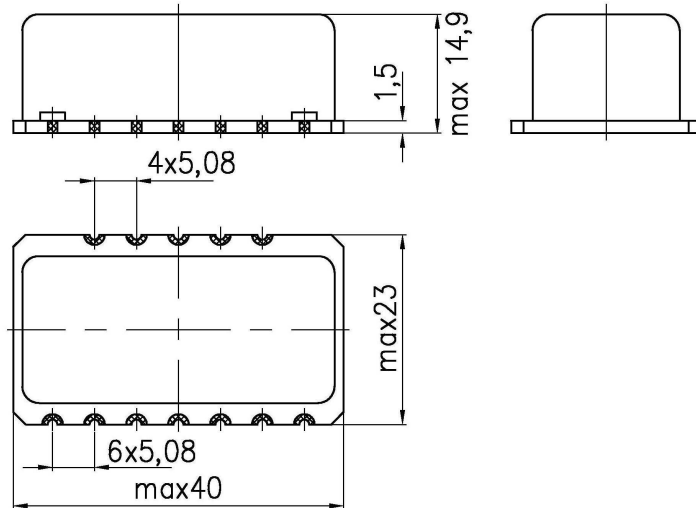


ROHS-Compliant Product

Notch filter



Case Style BF10SMD-14.9



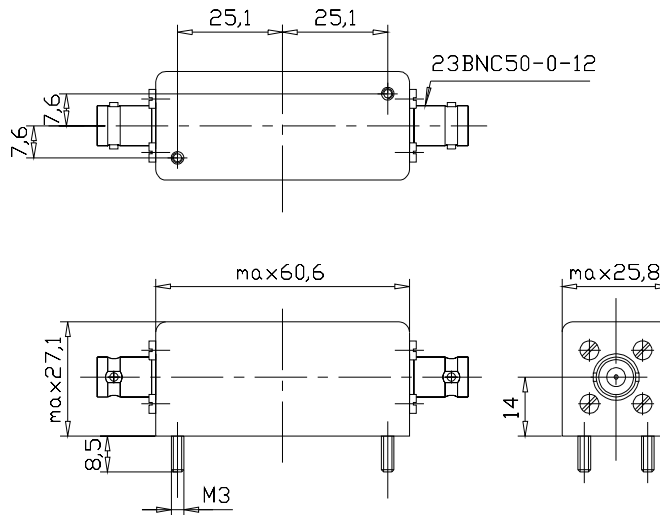
Non hermetical sealt

SMD-Flächen (Anwender)

KVG Quartz Crystal Technology GMBH

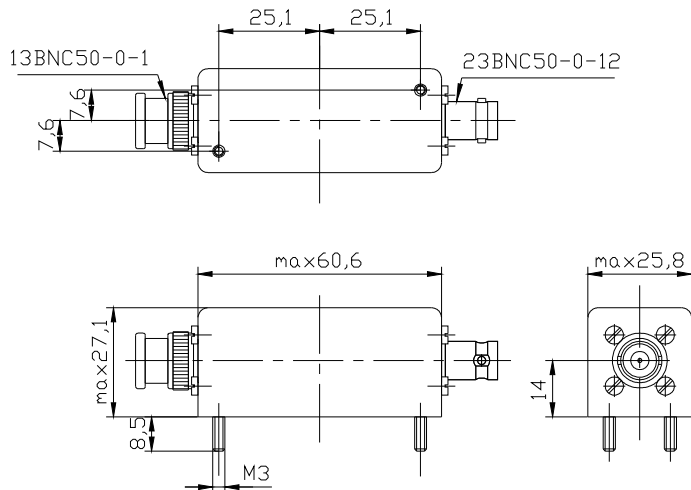
D-74922 Neckarbischofsheim P.O.B. 61 74924 Neckarbischofsheim Waibstadter Strasse 2 - 4
Tel: +49 (0) 7263 / 648 - 0 Fax: +49 (0) 7263 / 6196 e-mail: info@kvg-gmbh.de

Case Style BF26



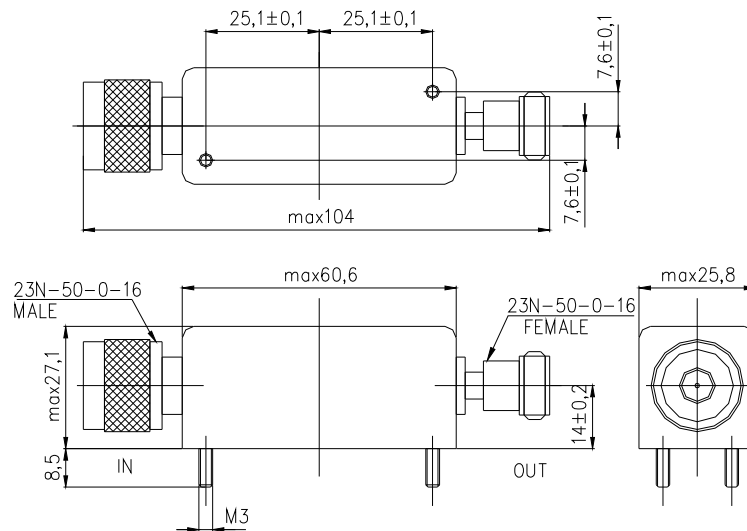
BNC-Cable Connector male-male

Case Style BF26A



BNC-Cable Connector female-male

Case Style BF-88-A (N-Cable Connector)



Case Style BF-90 (SMA Cable Connector)

