



V-53000 Series



1. Specification		
Type:	V-53B	V-53A
Frequency range:	1.544 MHz ... 77.76 MHz	
Power supply voltage V_B :	+5.0 V \pm 10%	+3.3 V \pm 10%
Current consumption:	< 60 mA	
Temperature range options -20 °C to +70 °C: -40 °C to +85 °C:	2070 4085	
Frequency stability options ⁽¹⁾ $\leq \pm 25$ ppm (n.a. for - 40 °C to + 85 °C): $\leq \pm 50$ ppm: $\leq \pm 70$ ppm:	B F H	
Control voltage range V_C :	+0.5 V to +4.5 V	+0.3 V to +3.0 V
Frequency pulling range:	$\geq \pm 100$ ppm	
Control voltage input impedance:	≥ 50 kOhm	
Transfer function / Linearity:	< 10% / Positive	
TriState function:	Logic low: Disable Logic high or not connected: Enable	
Output voltage : load : duty cycle :	HCMOS 1 kOhm // 15 pF 40%...60% (option J: 45% / 55%)	LVHCMOS 1 kOhm // 15 pF 40%...60% (option J: 45% / 55%)
Jitter (12 kHz to 20 MHz):	< 1ps rms	
Note (1):	overall frequency stability includes: Initial tolerance, 1st year aging, frequency stability vs. temperature, vs. supply voltage changes $\pm 5\%$, vs. load changes $\pm 5\%$	
2. Environmental conditions		
According to KVG Product Qualification Procedure AA-QM-200		

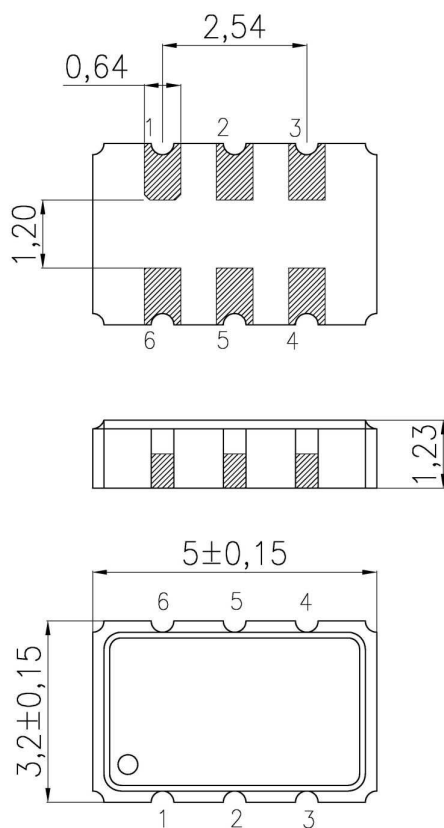
4				KVG Quartz Crystal Technology GmbH P.O.Box 61 D-74924 Neckarbischofsheim Tel. +49 (0) 7263 / 648-0 Fax. +49 (0) 7263 / 6196
3				
2				
1		09.02.07	M. Zupan	
ED	Description	Date	Name	

3. Marking

Manufacturer's name, date code(week/year)
 Specification
 Center frequency

4. Case

Case style: **BF-193-1.2B**



1.Pin configuration

1. Control voltage V_C
2. Tri State
3. Ground, Case
4. RF-output
5. N.C.
6. Supply voltage V_B

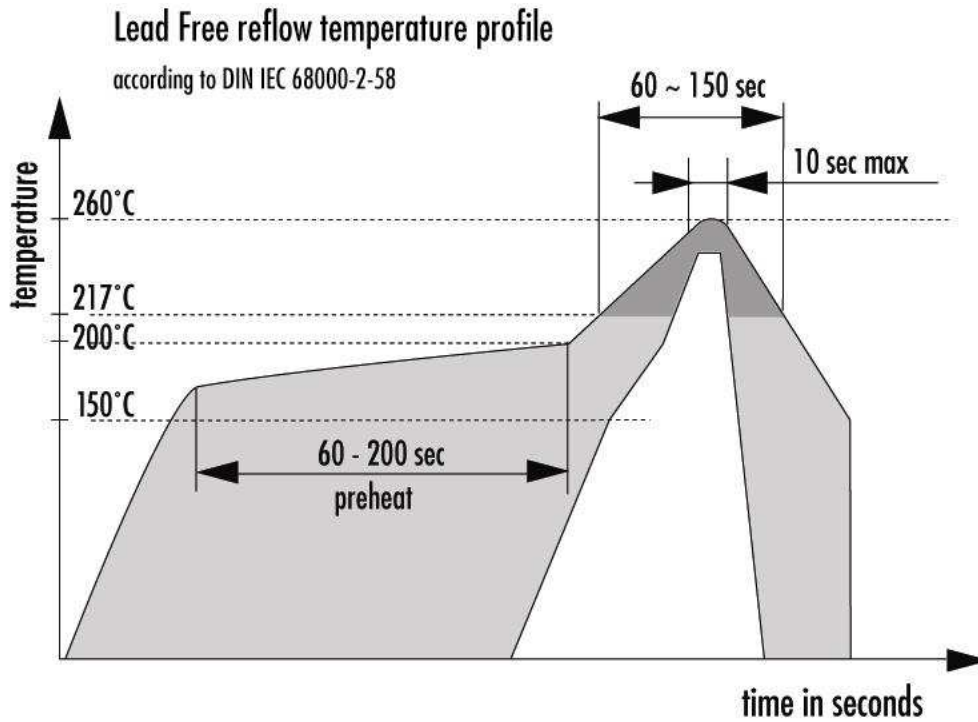
4				KVG Quartz Crystal Technology GmbH P.O.Box 61 D-74924 Neckarbischofsheim Tel. +49 (0) 7263 / 648-0 Fax. +49 (0) 7263 / 6196
3				
2				
1		09.02.07	M. Zupan	
ED	Description	Date	Name	



V-53000 Series



5. Reflow Soldering Profile



6. Ordering Information

Type & Package code	Supply voltage	Temperature range LOW/HIGH	Frequency stability	Duty cycle option	RoHS compl.	Nominal frequency
V-53: BF-193-1.2B	A: 3.3 V B: 5.0 V	2070: -20 / +70 °C 4085: -40 / +85 °C	B: ± 25 ppm F: ± 50 ppm H: ± 70 ppm	: 40%/60% J: 45%/55%	-LF	- XX.YYY MHz

Example: V-53A2070FJ-LF-50.000MHz

4				KVG Quartz Crystal Technology GmbH P.O.Box 61 D-74924 Neckarbischofsheim Tel. +49 (0) 7263 / 648-0 Fax. +49 (0) 7263 / 6196
3				
2				
1		09.02.07	M. Zupan	
ED	Description	Date	Name	