



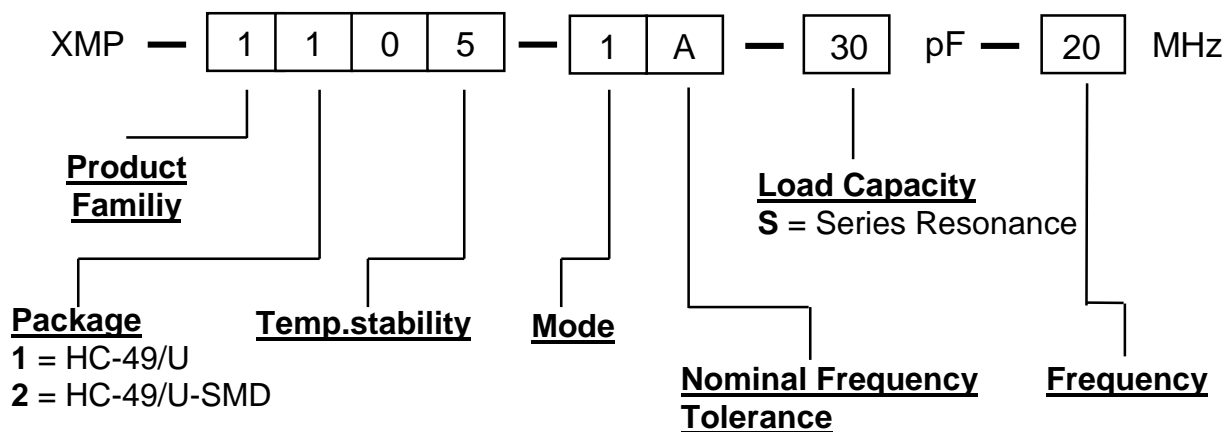
# XMP-1100 / 1200



HC-49/U / HC-49/U-SMD

Specification :	
Frequency range, Mode of vibration :	<b>1:</b> 1.80MHz to 40MHz fundamental <b>3:</b> 20MHz to 100MHz 3 <sup>rd</sup> overtone <b>5:</b> 80MHz to 160MHz 5 <sup>th</sup> overtone
Temperature stability Options : -20 / +70 °C : -40 / +85 °C :	<b>1:</b> ± 25 ppm <b>2:</b> ± 50ppm <b>3:</b> ± 100ppm <b>4:</b> ± 25 ppm <b>5:</b> ± 50ppm <b>6:</b> ± 100ppm
Nom. Frequency tolerance at 25°C :	<b>A:</b> ± 25 ppm <b>B:</b> ± 50ppm <b>C:</b> ± 100ppm
Load capacity CL :	15pF to 32pF and Series Resonance available
R1max :	See table page 2
Co :	7pF max
Drive level :	0.1mW standard
Aging :	± 3ppm/1 <sup>st</sup> year
Storage temperature range :	-55 °C to +125 °C

## Ordering Information :



Typical Part Number : XMP-1105-1A-30pF-20MHz:

Package = HC-49/U  
 Mode = fund.  
 Temp.stab = ± 50ppm vs. (-40/+85)°C  
 Adjustment tol = ± 25ppm  
 CL = 30pF  
 Frequency = 20MHz

4				<b>KVG Quartz Crystal Technology GmbH</b> Waibstadter Str. 2 - 4 D-74924 Neckarbischofsheim Tel. +49 (0) 7263 / 648-0 Fax. +49 (0) 7263 / 6196
3				
2	Storage Temp.Range added	12.05.11	M. Zupan	
1		29.01.03	M. Zupan	
ED	Description	Date	Name	

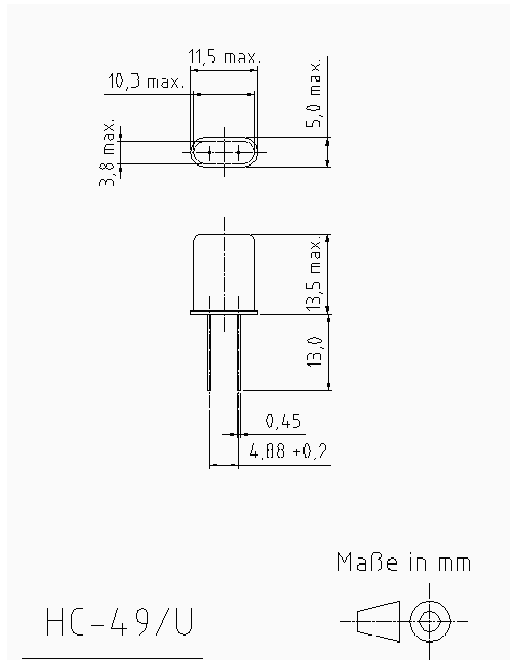


# XMP-1100 / 1200

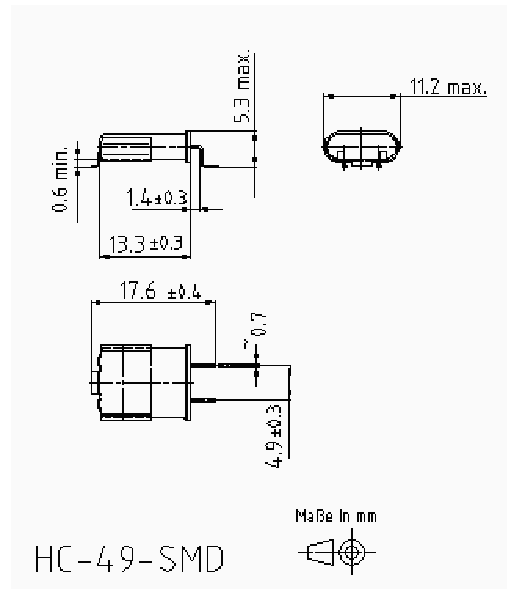
HC-49/U / HC-49/U-SMD



Package Drawing XMP-1100 :



Package Drawing XMP-1200 :



R1max as a function of frequency :

Frequency [MHz]	Mode	R1max [Ohm]
1.80 ... 2.44	fund.	500
2.45 ... 2.99	fund.	400
3.00 ... 3.49	fund.	200
3.50 ... 4.39	fund.	150
4.40 ... 4.99	fund.	100
5.00 ... 5.99	fund.	70
6.00 ... 9.99	fund.	50
10.0 ... 19.9	fund.	30
20.0 ... 40.0	fund.	20
20.0 ... 39.9	3 <sup>rd</sup> OT	40
40.0 ... 100	3 <sup>rd</sup> OT	50
50.0 ... 150	5 <sup>th</sup> OT	100

4				<b>KVG Quartz Crystal Technology GmbH</b> Waibstadter Str. 2 - 4 D-74924 Neckarbischofsheim Tel. +49 (0) 7263 / 648-0 Fax. +49 (0) 7263 / 6196
3				
2	Storage Temp.Range added	12.05.11	M. Zupan	
1		29.01.03	M. Zupan	
ED	Description	Date	Name	