



XMP-12100

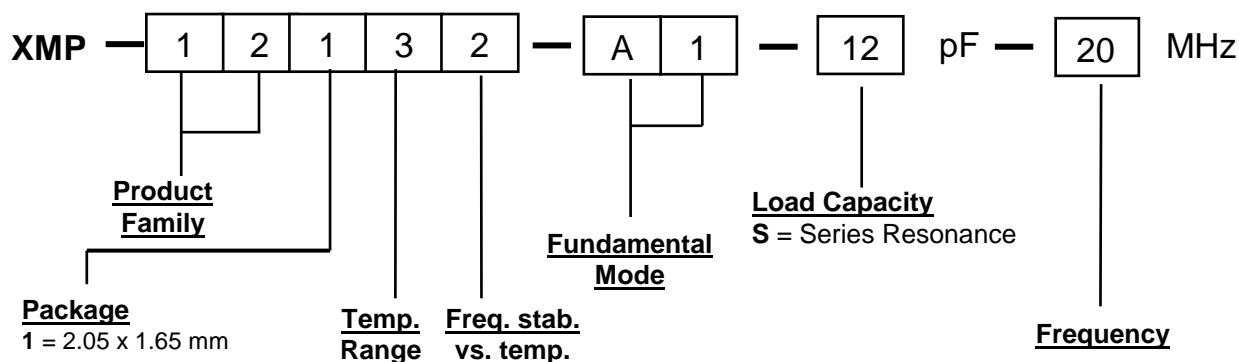


2 x 1.6 mm ultra thin ceramic SMD Package

Specification :	
Frequency range :	16 MHz to 50 MHz
Standard Frequency:	26, 30, 32 MHz
Temperature range options:	1: -10 to +60 °C 2: -20 to +70 °C 3: -30 to +85 °C 4: -40 to +85 °C
Frequency stability vs. temperature options :	1: ± 5 ppm (Note 1) 2: ± 10 ppm (available for temp.range 1 & 2): 3: ± 15 ppm 4: ± 25 ppm
Adjustment tolerance at +25 °C:	± 50 ppm
Load capacity CL :	≥8 pf ≤ 16 pf
Insulation Resistance :	≥ 500 MOhms
Equivalent Series Resistance R1 max:	≤ 30MHz < 100 Ohm Mode A1 ≥ 30MHz < 80 Ohm Mode A1
Co :	3 pF max
Drive level :	10 µW standard
Aging :	< ±3.0 ppm/year
Storage temperature range :	-55 °C to + 125 °C

(Note 1): ± 5 ppm case by case please contact factory for details;

Ordering Information :

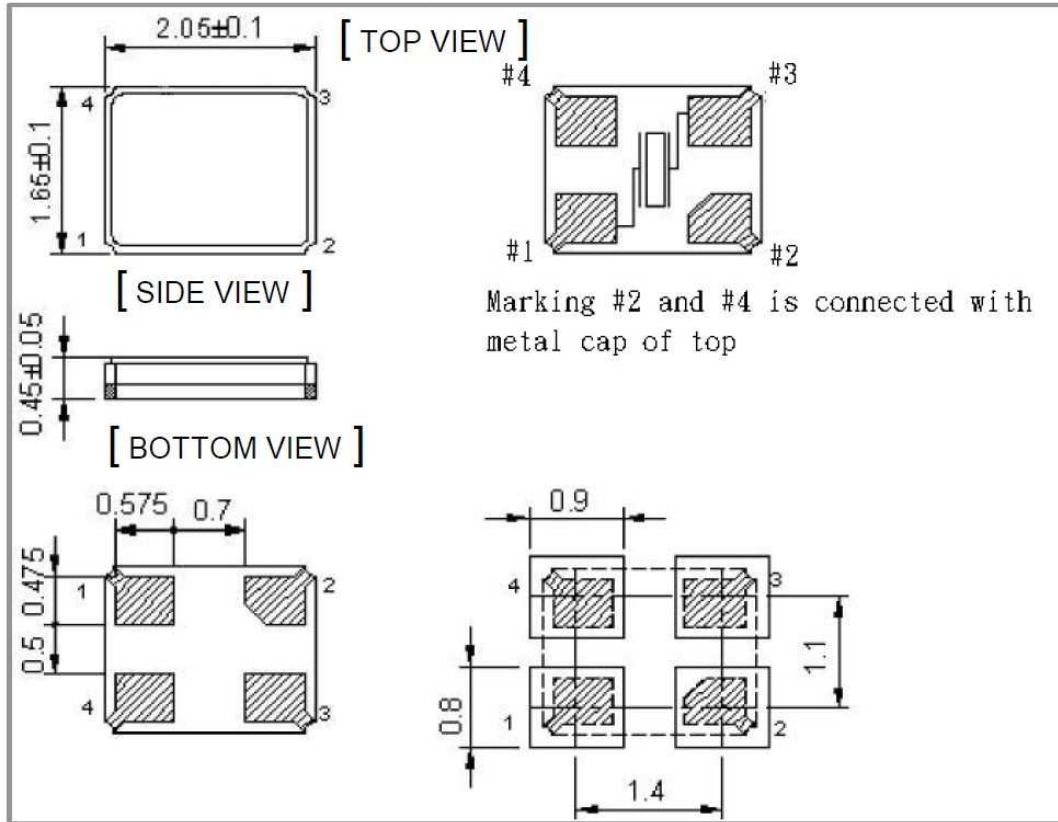


Typical Part Number: **XMP-12132-A1-12pF-20 MHz**

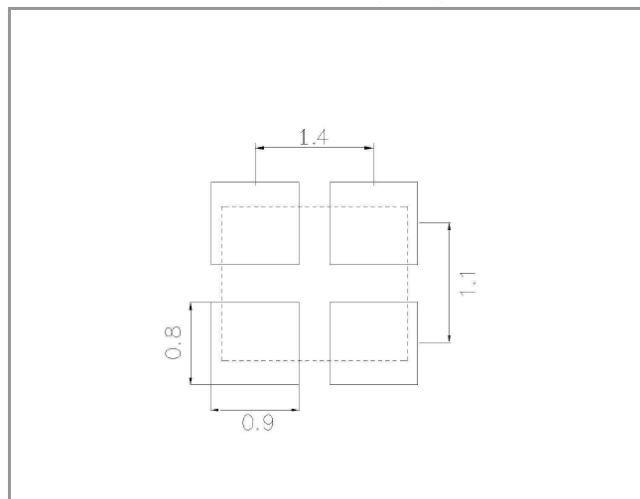
Mode = A1
 Temp. range = -40 to +85 °C
 Freq.stab. = ± 10 ppm
 C_L = 12 pF
 Frequency = 20 MHz

4				KVG Quartz Crystal Technology GmbH Waibstadter Str. 2 - 4 D-74924 Neckarbischofsheim Tel. +49 (0) 7263 / 648-0 Fax. +49 (0) 7263 / 6196
3	Restrictions for stability options added	01.10.2013	Dannenmaier	
2	Temperaturrange -40C+85C	05.03.2013	Dannenmaier	
1		14.02.2013	Dannenmaier	
ED	Description	Date	Name	

Package Drawing:



Layout solder pad (mm):



4				KVG Quartz Crystal Technology GmbH Waibstadter Str. 2 - 4 D-74924 Neckarbischofsheim Tel. +49 (0) 7263 / 648-0 Fax. +49 (0) 7263 / 6196
3	Restrictions for stability options added	01.10.2013	Dannenmaier	
2	Temperaturrange -40C+85C	05.03.2013	Dannenmaier	
1		14.02.2013	Dannenmaier	
ED	Description	Date	Name	