



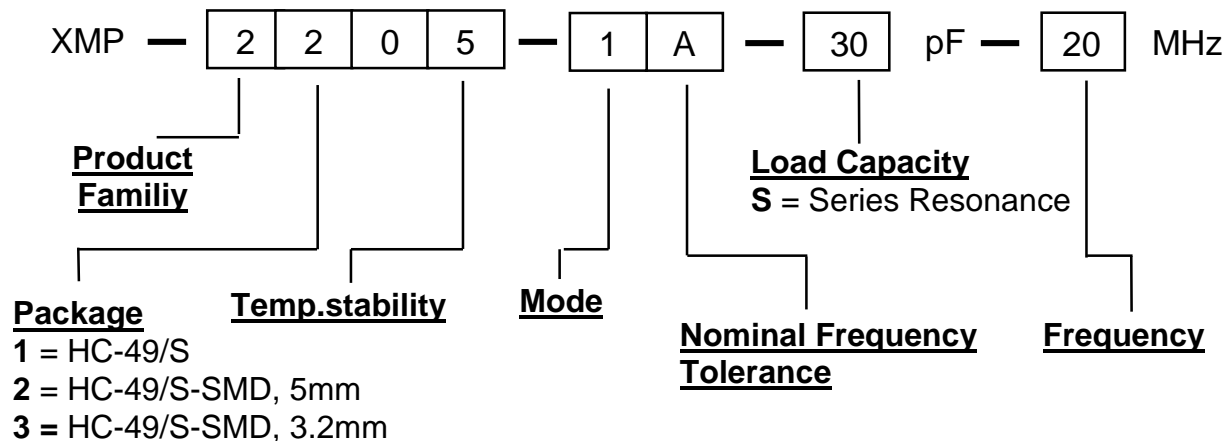
# XMP-2100 / 2200 / 2300



HC-49/S / HC-49/S-SMD

<b>Specification :</b>	
Frequency range, Mode of vibration :	1: 3.50MHz to 30MHz fundamental 3: 20MHz to 80MHz 3 <sup>rd</sup> overtone
Temperature stability Options : -20 / +70 °C : -40 / +85 °C :	1: ± 25 ppm      2: ± 50ppm      3: ± 100ppm 4: ± 25 ppm      5: ± 50ppm      6: ± 100ppm
Nom. Frequency tolerance at 25°C :	A: ± 25 ppm B: ± 50ppm C: ± 100ppm
Load capacity CL :	15pF to 32pF and Series Resonance available
R1max :	See table page 2
Co :	7pF max
Drive level :	0.1mW standard
Aging :	± 3ppm/1 <sup>st</sup> year
Storage temperature ange :	-55 °C to +125 °C

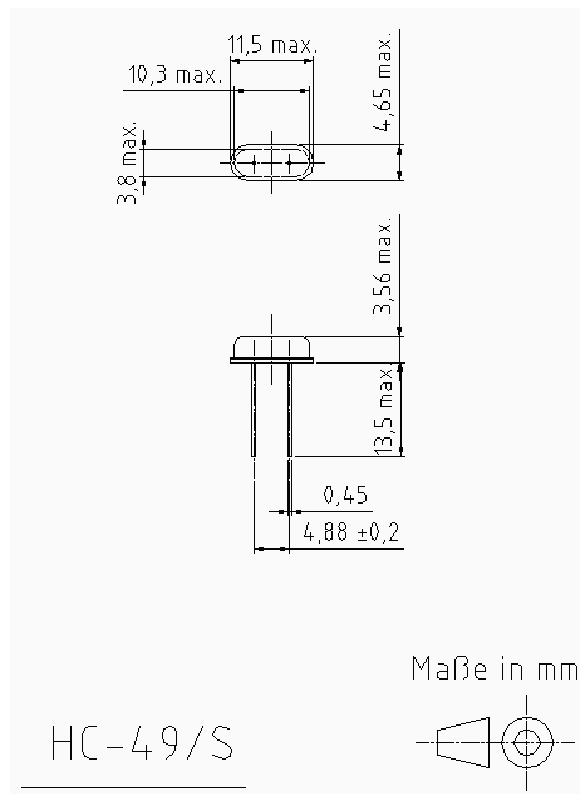
## Ordering Information :



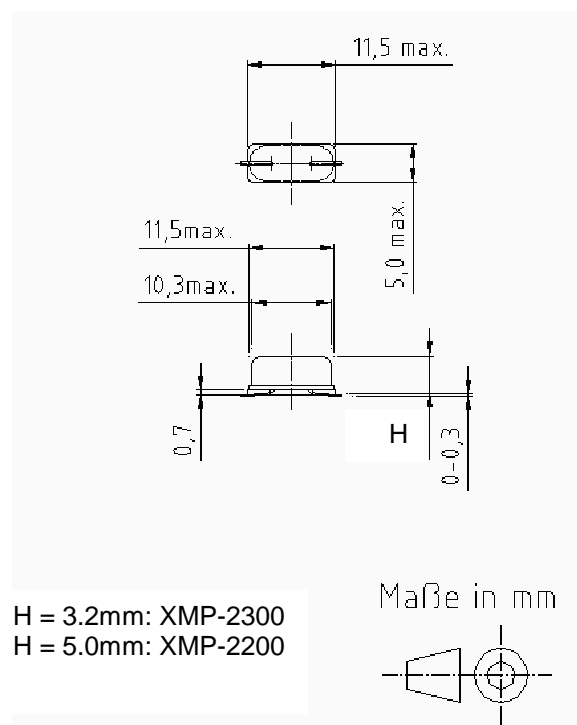
Typical Part Number : XMP-2205-1A-30pF-20MHz  
 Package = HC-49/S-SMD, 5mm  
 Mode = fund.  
 Temp.stab = ± 50ppm vs. (-40/+85)°C  
 Adjustment tol = ± 25ppm  
 CL = 30pF  
 Frequency = 20MHz

4				<b>KVG Quartz Crystal Technology GmbH</b> Waibstadter Str. 2 - 4 D-74924 Neckarbischofsheim Tel. +49 (0) 7263 / 648-0 Fax. +49 (0) 7263 / 6196
3				
2	Storage Temp.Range added	12.05.11	M. Zupan	
1		29.01.03	M. Zupan	
ED	Description	Date	Name	

Package Drawing XMP-2100 :



Package Drawing XMP-2200 / 2300 :



R1max as a function of frequency :

Frequency [MHz]	Mode	R1max [Ohm]
3.50 ... 4.09	fund.	150
4.10 ... 4.79	fund.	120
4.80 ... 5.79	fund.	100
5.80 ... 11.99	fund.	90
12.0 ... 14.29	fund.	70
14.3 ... 30.0	fund.	50
20.0 ... 39.9	3 <sup>rd</sup> OT	80
40.0 ... 80	3 <sup>rd</sup> OT	60

4				<b>KVG Quartz Crystal Technology GmbH</b> Waibstadter Str. 2 - 4 D-74924 Neckarbischofsheim Tel. +49 (0) 7263 / 648-0 Fax. +49 (0) 7263 / 6196
3				
2	Storage Temp.Range added	12.05.11	M. Zupan	
1		29.01.03	M. Zupan	
ED	Description	Date	Name	