



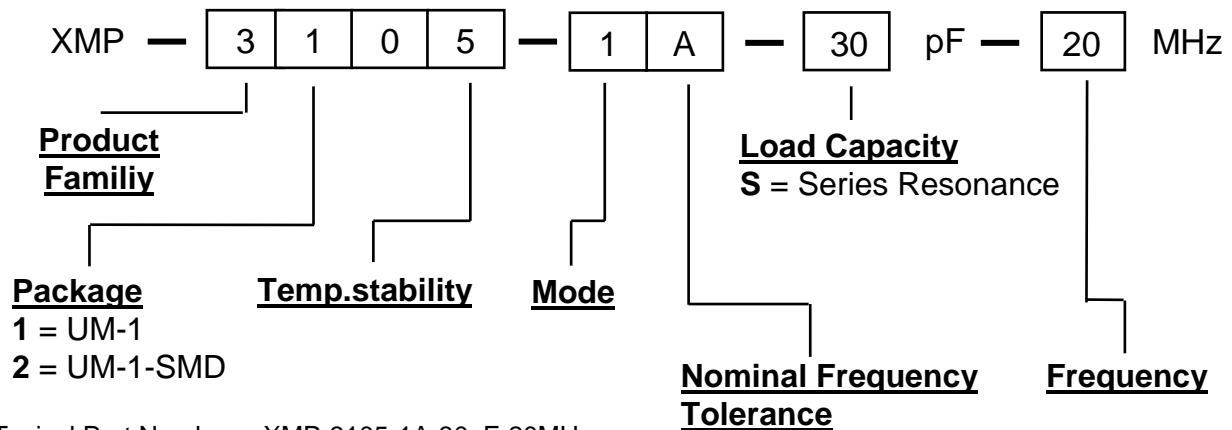
XMP-3100 / 3200

UM-1 / UM-1-SMD



Specification :	
Frequency range, Mode of vibration :	1: 8MHz to 45MHz fundamental 3: 26MHz to 120MHz 3 rd overtone 5: 80MHz to 160MHz 5 th overtone
Temperature stability Options : -20 / +70 °C : -40 / +85 °C :	1: ± 25 ppm 2: ± 50ppm 3: ± 100ppm 4: ± 25 ppm 5: ± 50ppm 6: ± 100ppm
Nom. Frequency tolerance at 25°C :	A: ± 25 ppm B: ± 50ppm C: ± 100ppm
Load capacity CL :	15pF to 32pF and Series Resonance available
R1max :	See table page 2
Co :	7pF max
Drive level :	0.1mW standard
Aging :	± 3ppm/1 st year
Storage Temperature range :	-55 °C to +125 °C

Ordering Information :

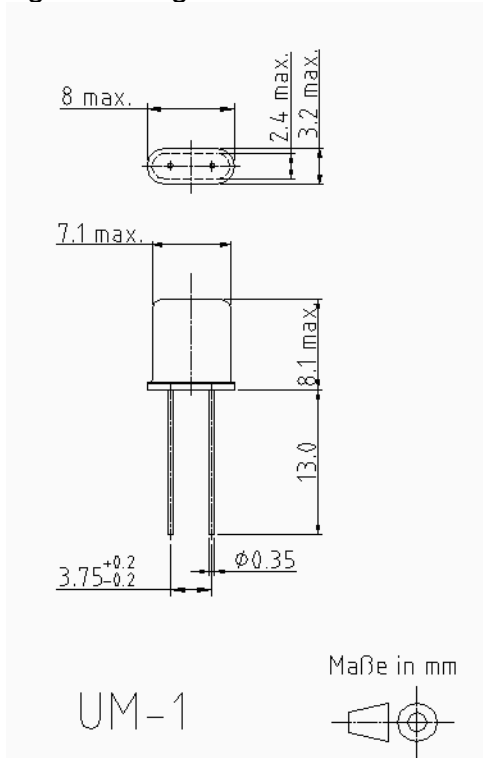


Typical Part Number : XMP-3105-1A-30pF-20MHz

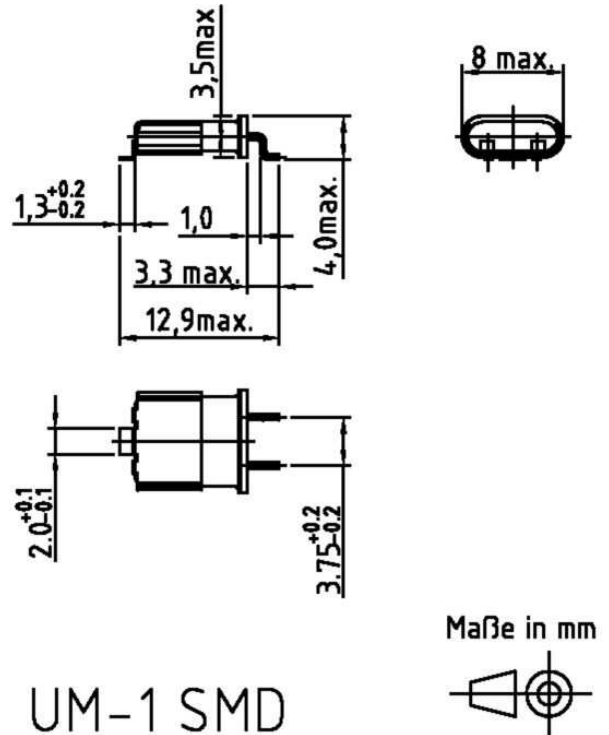
Package = UM-1
 Mode = fund.
 Temp.stab = ± 50ppm vs. (-40/+85)°C
 Adjustment tol = ± 25ppm
 CL = 30pF
 Frequency = 20MHz

4				KVG Quartz Crystal Technology GmbH Waibstadter Str. 2 - 4 D-74924 Neckarbischofsheim Tel. +49 (0) 7263 / 648-0 Fax. +49 (0) 7263 / 6196
3				
2	Storage Temp.Range added	12.05.11	M. Zupan	
1		29.01.03	M. Zupan	
ED	Description	Date	Name	

Package Drawing XMP-3100 :



Package Drawing XMP-3200 :



R1max as a function of frequency :

Frequency [MHz]	Mode	R1max [Ohm]
8.00 ... 9.9	fund.	80
10.0 ... 17.9	fund.	40
18.0 ... 45	fund.	30
26.0 ... 49.9	3 rd OT	50
50.0 ... 100	3 rd OT	40
80.0 ... 160	5 th OT	120

4				KVG Quartz Crystal Technology GmbH Waibstadter Str. 2 - 4 D-74924 Neckarbischofsheim Tel. +49 (0) 7263 / 648-0 Fax. +49 (0) 7263 / 6196
3				
2	Storage Temp.Range added	12.05.11	M. Zupan	
1		29.01.03	M. Zupan	
ED	Description	Date	Name	