



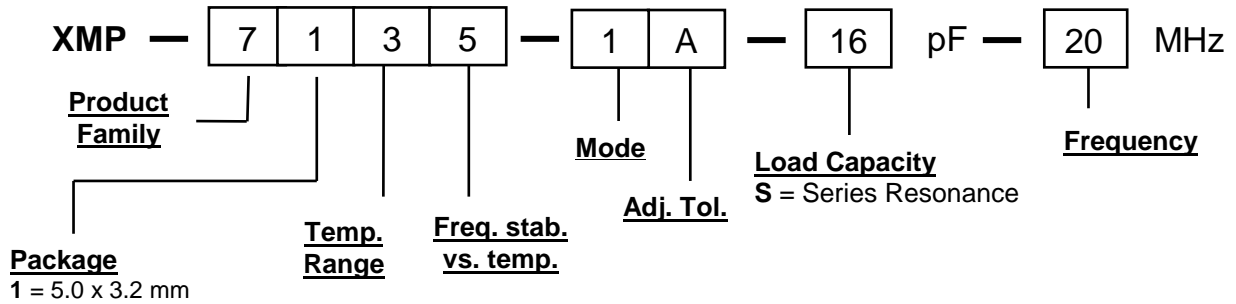
# XMP-7100



5.0 mm x 3.2 mm Ceramic SMD Package

<b>Specification :</b>	
Frequency range, Mode of vibration :	11 MHz to 53 MHz fundamental
Temperature range options:	<b>0:</b> 0 to +50 °C <b>1:</b> -10 to +60 °C <b>2:</b> -20 to +70 °C <b>3:</b> -40 to +85 °C
Frequency stability vs. temperature options : ± 5 ppm (available for temp.range 0 & 1 ): ± 10 ppm (available for temp.range 0, 1, 2): ± 15 ppm ± 20 ppm ± 30 ppm ± 50 ppm	<b>1</b> <b>2</b> <b>3</b> <b>4</b> <b>5</b> <b>6</b>
Adjustment tolerance at +25 °C:	<b>A:</b> ± 10 ppm <b>B:</b> ± 15 ppm <b>C:</b> ± 20 ppm <b>D:</b> ± 25 ppm <b>E:</b> ± 30 ppm <b>F:</b> ± 50 ppm
Load capacity CL :	9 pF to 32 pF and series resonance available
R1max :	See table page 2
Co :	5 pF max
Drive level :	0.01 mW standard; 0.1 mW max.
Aging :	± 1 ppm/year
Storage temperature range :	-55 °C to +125 °C

## Ordering Information :



Typical Part Number: **XMP-7135-1A-16pF-20 MHz**

Mode = fund.  
 Temp. range = -40 to +85 °C  
 Freq.stab. = ± 30 ppm  
 Adjust. tol = ± 10 ppm.,  
 C<sub>L</sub> = 16 pF  
 Frequency = 20 MHz

4	Freq stab vs Temp range adapted	21.02.13	Dannenmaier	<b>KVG Quartz Crystal Technology GmbH</b> Waibstadter Str. 2 - 4 D-74924 Neckarbischofsheim Tel. +49 (0) 7263 / 648-0 Fax. +49 (0) 7263 / 6196
3	Storage Temp.Range added	12.05.11	M. Zupan	
2	Ordering coding scheme	28.08.06	Rudolph	
5	Freq stab 10ppm vs Temp range adapted	02.07.13	Dannenmaier	
ED	Description	Date	Name	

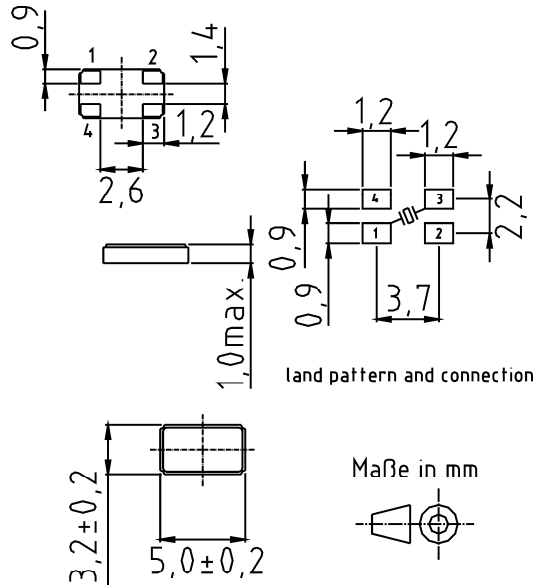


# XMP-7100



5.0 mm x 3.2 mm Ceramic SMD Package

Package Drawing:



Keramik 5,0 x 3,2

R<sub>1max</sub> as a function of frequency :

Frequency [MHz]	Mode	R <sub>1max</sub> [Ohm]
11.0 ... 12.9	fund.	65
13.0 ... 23.9	fund.	55
24.0 ... 48.0	fund.	45
48.0 ... 53.0	fund.	40

4	Freq stab vs Temp range adapted	21.02.13	Dannenmaier	<b>KVG Quartz Crystal Technology GmbH</b> Waibstadter Str. 2 - 4 D-74924 Neckarbischofsheim Tel. +49 (0) 7263 / 648-0 Fax. +49 (0) 7263 / 6196
3	Storage Temp.Range added	12.05.11	M. Zupan	
2	Ordering coding scheme	28.08.06	Rudolph	
5	Freq stab 10ppm vs Temp range adapted	02.07.13	Dannenmaier	
ED	Description	Date	Name	