



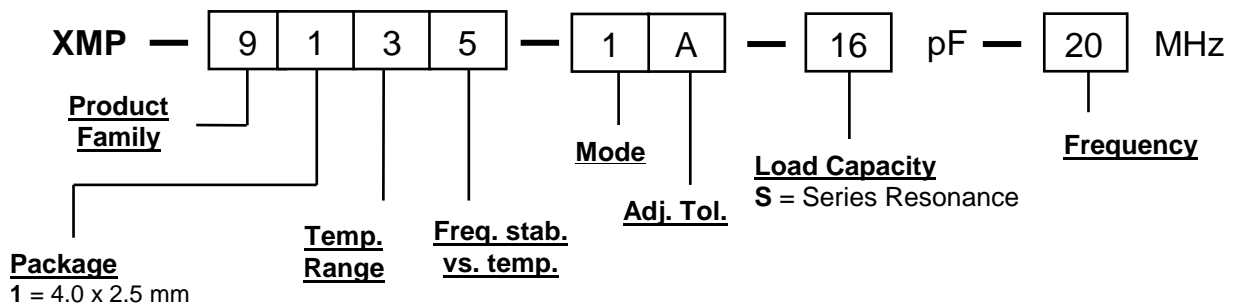
XMP-9100

4.0 mm x 2.5 mm Ceramic SMD Package



Specification :	
Frequency range, Mode of vibration :	12 MHz to 37 MHz fundamental
Temperature range options:	0: 0 to +50 °C 1: -10 to +60 °C 2: -20 to +70 °C 3: -40 to +85 °C
Frequency stability vs. temperature options : ± 5 ppm (available for temp.range 0 & 1): ± 10 ppm ± 15 ppm ± 20 ppm ± 30 ppm ± 50 ppm	1 2 3 4 5 6
Frequency stability vs. temperature options :	1: ± 5 ppm 2: ± 10 ppm 3: ± 15 ppm 4: ± 20 ppm 5: ± 30 ppm 6: ± 50 ppm
Adjustment tolerance at +25 °C:	A: ± 10 ppm B: ± 15 ppm C: ± 20 ppm D: ± 25 ppm E: ± 30ppm F: ± 50 ppm
Load capacity C _L :	10 pF to 32 pF and series resonance available
R1 max :	See table page 2
Co :	3 pF max
Drive level :	10 µW standard
Aging :	< ±1 ppm/year
Storage temperature range :	-55 °C to +125 °C

Ordering Information :

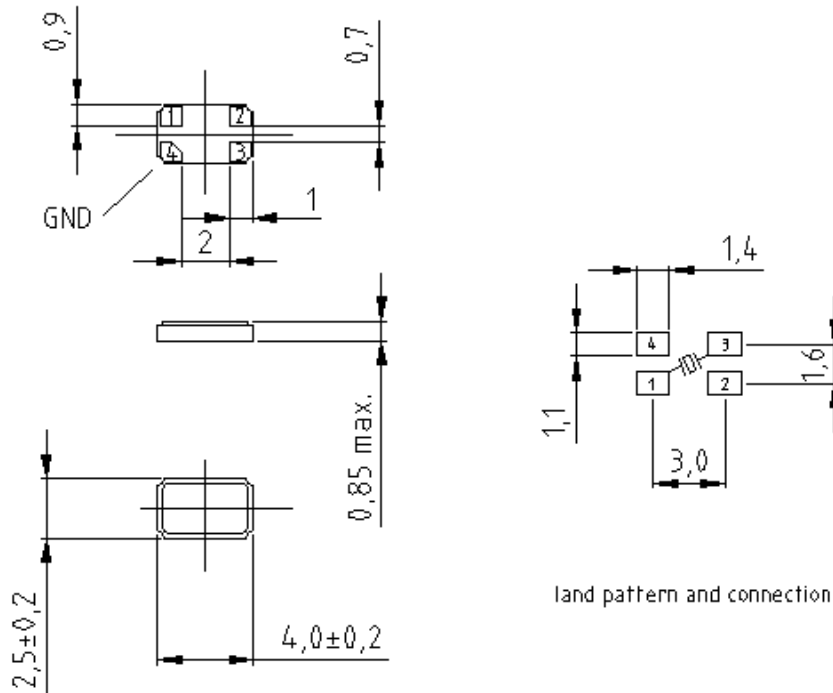


Typical Part Number: **XMP-9135-1A-16pF-20 MHz**

Mode = fund.
 Temp. range = -40 to +85 °C
 Freq.stab. = ± 30 ppm
 Adjust. tol = ± 10 ppm.,
 C_L = 16 pF
 Frequency = 20 MHz

4	Freq stab vs Temp range adapted	21.02.13	Dannenmaier	KVG Quartz Crystal Technology GmbH Waibstadter Str. 2 - 4 D-74924 Neckarbischofsheim Tel. +49 (0) 7263 / 648-0 Fax. +49 (0) 7263 / 6196
3	Storage Temp.Range added	12.05.11	M. Zupan	
2	temp. ranges; coding	11.07.06	Rudolph	
1		29.01.03	M. Zupan	
ED	Description	Date	Name	

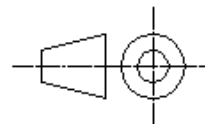
Package Drawing:



land pattern and connection

Maße in mm

Keramik 4,0 x 2,5



R1_{max} as a function of frequency :

Frequency [MHz]	Mode	R1 _{max} [Ohm]
12.0 ... 15.9	fund.	70
16.0 ... 31.9	fund.	50
32.0 ... 37.0	fund.	20

4	Freq stab vs Temp range adapted	21.02.13	Dannenmaier	KVG Quartz Crystal Technology GmbH Waibstadter Str. 2 - 4 D-74924 Neckarbischofsheim Tel. +49 (0) 7263 / 648-0 Fax. +49 (0) 7263 / 6196
3	Storage Temp.Range added	12.05.11	M. Zupan	
2	temp. ranges; coding	11.07.06	Rudolph	
1		29.01.03	M. Zupan	
ED	Description	Date	Name	