



RoHS-Compliant Product

# XO-32000E Series

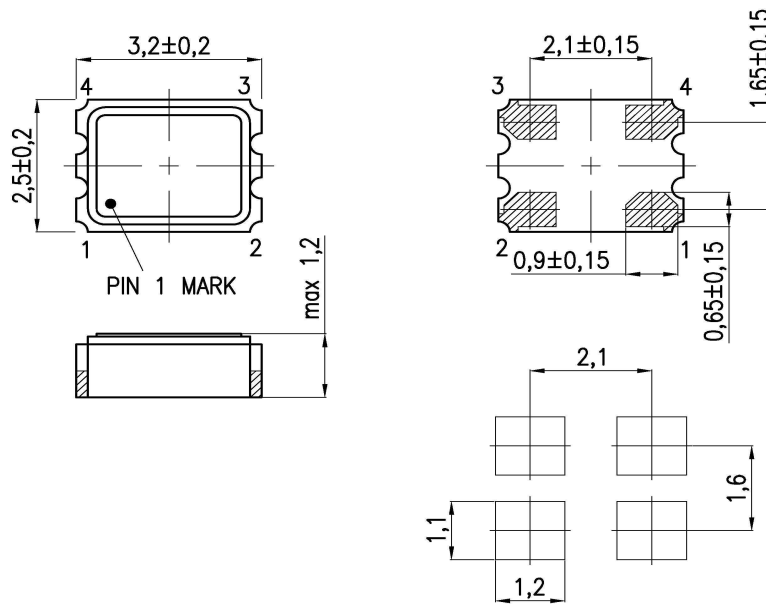


1. Specification			
Frequency range:	1.25 MHz to 100 MHz		
Type:	<b>XO-32A</b>	<b>XO-32H</b>	<b>XO-32J</b>
Supply voltage $V_S$ :	+3.3 V $\pm$ 5%	+2.5 V $\pm$ 5%	+1.8 V $\pm$ 5%
Current consumption : $\leq$ 80 MHz: $>$ 80 MHz:	$\leq$ 10 mA $\leq$ 15 mA	$\leq$ 8 mA $\leq$ 10 mA	$\leq$ 5 mA $\leq$ 8 mA
Operating temperature options -40°C to +105°C -40°C to +125°C -55°C to +125°C :	<b>40105</b> <b>40125</b> <b>55125</b>		
Frequency stability options: $\pm$ 50 ppm: $\pm$ 40 ppm :  Stability $\pm$ 40 ppm available for -40 to 105°C	<b>F</b> <b>E</b>		
Frequency stability is considered as the overall stability including nominal frequency tolerance at +25°C, frequency stability vs. temperature, vs load changes. ( $\pm$ 5%), vs. supply voltage changes ( $\pm$ 5%) and 1 <sup>st</sup> year aging.			
Output voltage : level: load: duty cycle:	(LV)HCMOS $V_{OL} < 10\% V_S, V_{OH} > 90\% V_S$ 10 kOhm // 15 pF 45% ... 55%		
Phase jitter (12 kHz to 20 MHz):	$\leq$ 1 ps rms		
TriState (E/D) function: High or N.C.: Low:	Enable Disable		
2. Environmental conditions			
According to KVG Product Qualification Procedure AA-QM-200			
3. Marking			
Manufacturer's name, date code (week/year); Center frequency			

4				<b>KVG Quartz Crystal Technology GmbH</b> P.O. Box 61 D-74924 Neckarbischofsheim Tel. +49 (0) 7263 / 648-0 Fax. +49 (0) 7263 / 6196
3				
2				
1		01.07.15	Schweickert	
ED	Description	Date	Name	

## 4. Case

Case Style : BF201-1.2



Recommended soldering pattern

### 1. Pin configuration

1. TriState (E/D) control
2. Ground case
3. RF output
4. Supply Voltage  $V_S$

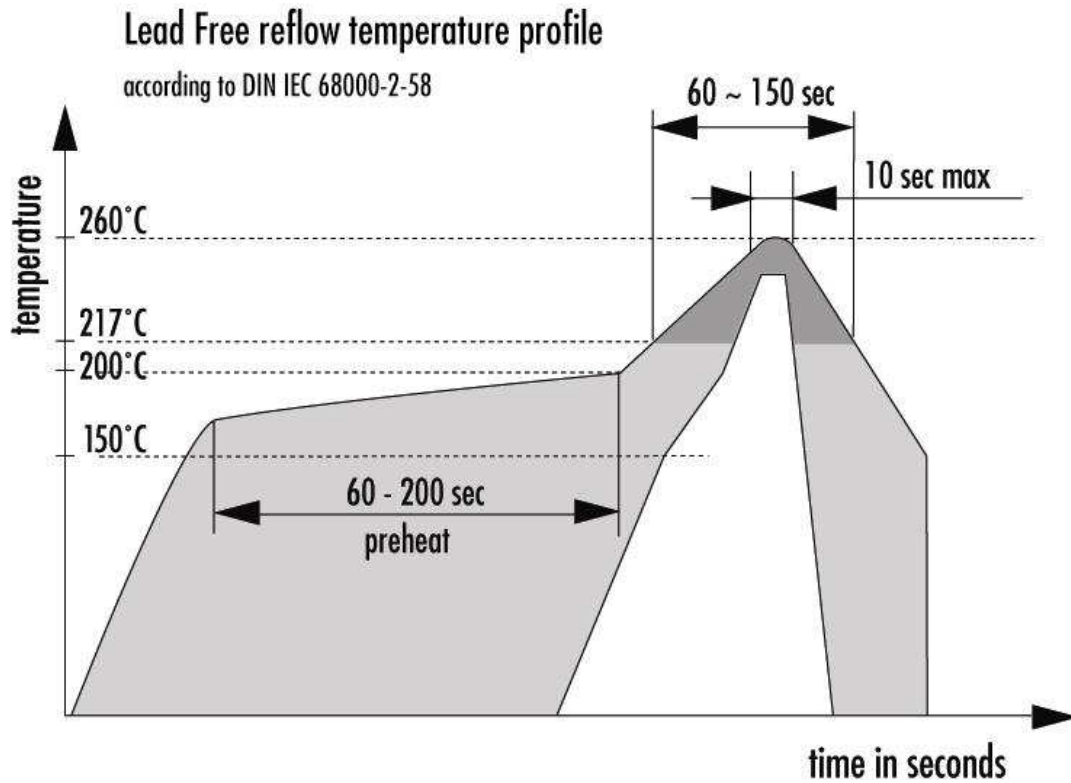
4				<b>KVG Quartz Crystal Technology GmbH</b> P.O. Box 61 D-74924 Neckarbischofsheim Tel. +49 (0) 7263 / 648-0 Fax. +49 (0) 7263 / 6196
3				
2				
1		01.07.15	Schweickert	
ED	Description	Date	Name	



# XO-32000E Series



## 5. Reflow Soldering Profile



## 6. Ordering Information

Type & Package code	Supply voltage	Temperature range LOW/HIGH	Freq. stability	Output signal	Tristate func.	RoHS compl	Nominal frequency
XO-32: BF201-1.2	A: 3.3 V H: 2.5 V J: 1.8 V	40105: -40 / +105 °C 40125: -40 / +125 °C 55125: -55 / +125 °C	E: ± 40 ppm F: ± 50 ppm	HJ: (LV)HCMOS 15pF load 45/55 duty;	T	-LF	- XX.YYY MHz

Example: XO-32A55125FHJT-LF-100.000MHz

4				<b>KVG Quartz Crystal Technology GmbH</b> P.O. Box 61 D-74924 Neckarbischofsheim Tel. +49 (0) 7263 / 648-0 Fax. +49 (0) 7263 / 6196
3				
2				
1		01.07.15	Schweickert	
ED	Description	Date	Name	