



ROHS-Compliant Product

# XO-53000P/L Series



1. Specification		
Frequency Range:	12 MHz to 800 MHz	
Type:	<b>XO-53330</b>	<b>XO-53250</b>
Supply voltage $U_B$ :	+3.3 V $\pm$ 5 %	+2.5 V $\pm$ 5 %
Current consumption:	$\leq$ 80 mA	$\leq$ 60 mA
Frequency stability (1) < $\pm$ 25 ppm < $\pm$ 50 ppm < $\pm$ 100 ppm	<b>XO-53331</b> <b>XO-53332</b> <b>XO-53333</b>	<b>XO-53251</b> <b>XO-53252</b> <b>XO-53253</b>
Operating temperature Options -20 °C to +70 °C: -40 °C to +85 °C:	<b>S</b> <b>E</b>	
Output disabled => E/D Control Input: Output enabled => E/D Control Input:	$\leq$ 30% $V_S$ $\geq$ 70% $V_S$ or N.C.	$\leq$ 30% $V_S$ $\geq$ 70% $V_S$ or N.C.
<b>Output options:</b>		
LVPECL: <b>P</b> level ( $U_B = +3.3$ V): level ( $U_B = +2.5$ V): load: duty cycle:  rise time, fall time 20% to 80%:	High $\geq$ 2.275 V, Low $\leq$ 1.68 V High $\geq$ 1.475 V, Low $\leq$ 1.095 V 50 Ohm Blank : 40/60 % Option <b>J</b> : 45/55% $\leq$ 1.0 nsec	
LVDS: <b>L</b> level ( $V_S = +3.3$ V): level ( $V_S = +2.5$ V): load: duty cycle:  rise time, fall time 20% to 80%:	247 mV < $V_{OD}$ < 454 mV 247 mV < $V_{OD}$ < 454 mV 100 Ohm Blank : 40/60 % Option <b>J</b> : 45/55% 1.0 nsec	
Phase jitter (12 kHz to 20 MHz):	$\leq$ 1 ps RMS	
Start-up time:	$\leq$ 10 ms	
Storage Temperature range	-55 °C ... +105 °C	

(1) including initial tolerance, frequency stability vs. temperature, vs. supply voltage changes  $U_B \pm 5$  %, vs. load changes  $\pm 5$  % and 1st year aging.

4				<b>KVG Quartz Crystal Technology GmbH</b> <b>P.O.Box 61</b> <b>D-74924 Neckarbischofsheim</b> Tel. +49 (0) 7263 / 648-0 Fax. +49 (0) 7263 / 6196
3				
2				
1		31.08.11	M. Zupan	
ED	Description	Date	Name	



ROHS-Compliant Product

# XO-53000P/L Series



## 2. Environmental conditions

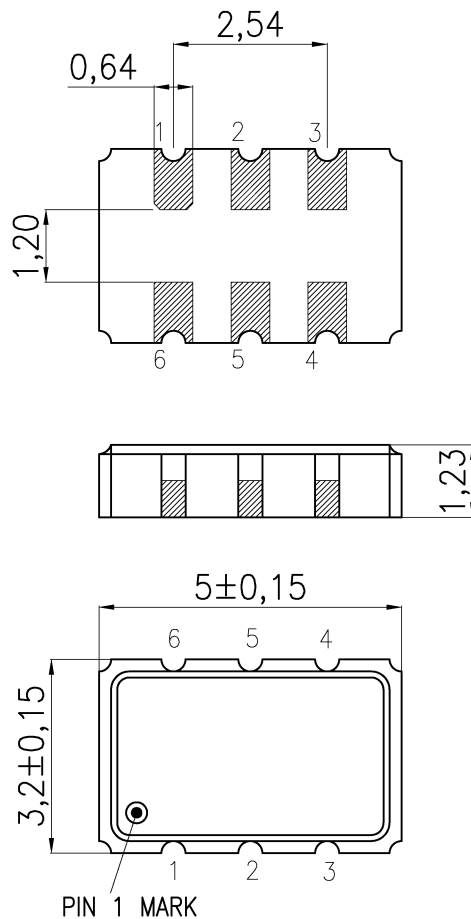
According to KVG Product Qualification Procedure AA-QM-200

## 3. Marking

Manufacturer's name, date code(week/year); Specification; Center frequency

## 4. Case

Case style: BF-189-2.0B



### 1. Pin configuration

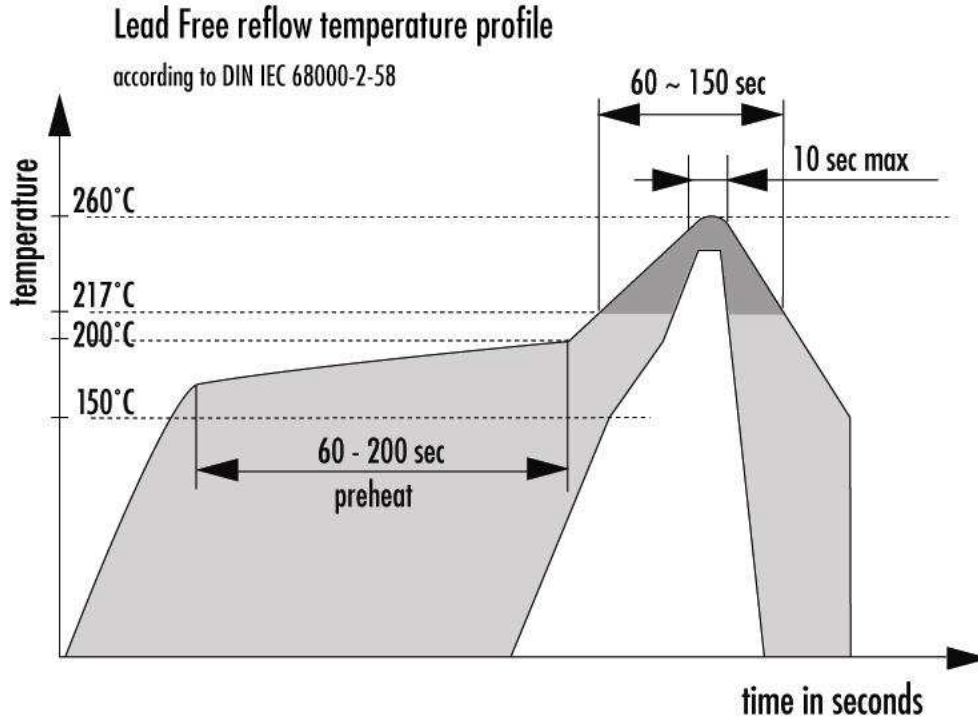
1. Tristate Input
2. N.C.
3. Ground case
4. RF Output
5. Complementary RF Output
6. Supply voltage  $V_s$

4				<b>KVG Quartz Crystal Technology GmbH</b> <b>P.O.Box 61</b> <b>D-74924 Neckarbischofsheim</b> Tel. +49 (0) 7263 / 648-0 Fax. +49 (0) 7263 / 6196
3				
2				
1		31.08.11	M. Zupan	
ED	Description	Date	Name	



# XO-53000P/L Series

## 5. Reflow Soldering Profile



## 6. Ordering Information

Package Code	Supply Voltage	Frequ. Stability	Output Voltage	Temp. range	Duty Cycle	RoHS compl.	Nominal Frequency
BF193-1.2A	2.5 V	± 50 ppm	PECL	-40/+85°C	45/55%		- XX.YYY MHz
<b>XO-53</b>	<b>25</b>	<b>2</b>	<b>P</b>	<b>E</b>	<b>J</b>	<b>-LF</b>	<b>-150.000MHz</b>

Example: XO-53252PEJ-LF-150.000 MHz

4				<b>KVG Quartz Crystal Technology GmbH</b> P.O.Box 61 D-74924 Neckarbischofsheim Tel. +49 (0) 7263 / 648-0 Fax. +49 (0) 7263 / 6196
3				
2				
1		31.08.11	M. Zupan	
ED	Description	Date	Name	