



# XO-9500/9600 Series



1. Specification			
Type:	<b>XO-9500</b> +5V ± 5%	<b>XO-9600</b> +3.3V ± 5%	
Nom. freq. Range :	1 ... 66.0 MHz		
Frequency stability Options: +50ppm : +100ppm :	<b>XO-9510</b> <b>XO-9520</b>	<b>XO-9610</b> <b>XO-9620</b>	
Frequency stability is considered as the overall stability including temp.stability, nom.frequency tolerance at 25°C, +/-5% changes vs. load and supply voltage, 1 <sup>st</sup> year aging.			
Temp.range Options -20°C to +70°C : -40°C to +85°C :	<b>S</b> <b>E</b>		
TriState Options :	<b>F</b> : Fixed Frequency without Tri-State <b>T</b> : Tri-State function		
TriState Function :	N.C.: Enable Logic High: Enable Logic Low: Disable / High Impedance		
Current consumption:	≤ 40 mA		
Output voltage : level : load : duty cycle :	HCMOS/TTL low < 10% V <sub>s</sub> , high > 90% V <sub>s</sub> 1kOhm // 15pF...50pF 45% ... 55 %		
2. Environmental conditions			
According to KVG Product Qualification Procedure AA-QM-200			
3. Marking			
Manufacturer's name, date code(week/year); Specification; Center frequency			

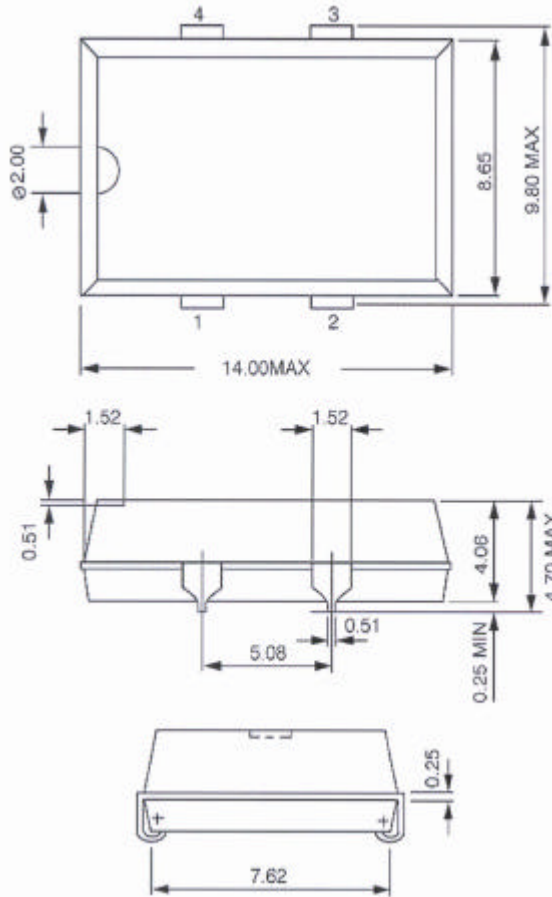
4				<b>KVG Quartz Crystal Technology GmbH</b> <b>P.O.Box 61</b> <b>D-74924 Neckarbischofsheim</b> Tel. +49 (0) 7263 / 648-0 Fax. +49 (0) 7263 / 6196
3				
2	Output voltage level added	22.04.09	M. Zupan	
1		07.06.02	M. Zupan	
ED	Description	Date	Name	



# XO-9500/9600 Series



## 4. Case



### 1.Pin configuration

1. N. C. or TriState
2. Ground
3. RF-output
4. Supply voltage

4				<b>KVG Quartz Crystal Technology GmbH</b> <b>P.O.Box 61</b> <b>D-74924 Neckarbischofsheim</b> Tel. +49 (0) 7263 / 648-0 Fax. +49 (0) 7263 / 6196
3				
2	Ouput voltage level added	22.04.09	M. Zupan	
1		07.06.02	M. Zupan	
ED	Description	Date	Name	