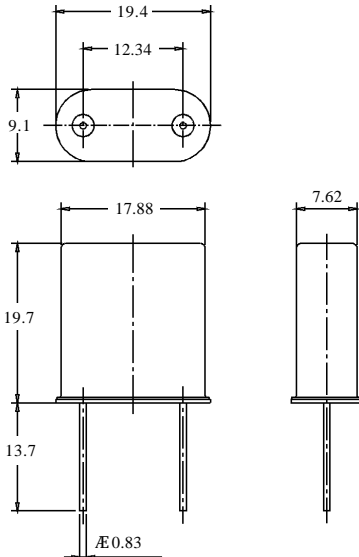




HC-51/U



Quartz Crystal Units AT-Cut, 0.8 - 300 MHz



DIN 45110: K6B
 IEC 122-3: DZ
 NFC-93-601: n⁰ 2A
 MIL-H-10056: HC-51/U
 Welded metal enclosure
 (inert atmosphere)
 with wire leads

All dimensions in mm (max)

HC-51/U			Temperature Stability in the Temperature Range						Nom.Temp. ± 5°C ¹⁾
			-55°C...+105°C		-20°C...+70°C				
Overtone	Frequency [MHz]	Type	± 50ppm	± 25ppm	± 20ppm	± 10ppm	± 7ppm	± 5ppm	± 2ppm
1.OT	0.8...3.0	XS 17xx	01	02	03	04	----	-----	05
	3.0...8.0	XS 18xx	01	02	03	04	06	-----	05
	8.0...30	XS 19xx	01	02	03	04	06	07	05
3.OT	15...90	XS 20xx	01	02	03	04	06	07	05
5.OT	50...160	XS 21xx	01	02	03	04	06	07	05
7.OT	110...210	XS 21xxA	01	02	03	04	06	07	05
9.OT	150...300	XS 21xxB	01	02	03	04	06	07	05

Calibration tolerance: ± 10 ppm ¹⁾Nom. Temp. = Nominal temperature for oven application to be given with the

Motional Resistance R1

Overtone	Frequency [MHz]	R1max [Ω]
1. OT	0.8...1.5	800
1. OT	1.5...2.0	500
1. OT	2.0...3.0	200
1. OT	3.0...5.0	80
1. OT	5.0...8.0	40
1. OT	8.0...15	30
1. OT	15...30	20
3. OT	15...90	40
5. OT	40...150	60
7. OT	100...210	100
9. OT	150...300	180

Standard resonance for fundamental crystals: load resonance with $C_L = 30 \pm 0.5\text{pF}$
 Overtone crystals: series mode
 Shunt capacitance: $C_0 = 7\text{pF}$ max

Crystal units with different tolerances or additional data upon request.

Modifications for 0.8 – 1.5MHz only:

6-point mounting for exposure to extreme accelerations (shock and vibration) : XS 17xx / 18xx / 19xx / 20xx / 21xx -S

Corresponding modified PartNr.

KVG Quartz Crystal Technology

D-74922 Neckarbischofsheim P.O.B. 61 74924 Neckarbischofsheim Waibstadter Strasse 2 - 4

Tel: +49 (0) 7263 / 648 - 0 Fax: +49 (0) 7263 / 6196 e-mail:info@kvg-gmbh.de

Handelsregister: Amtsgericht Mannheim Nr. 340185 Geschäftsführer: M. Klimm; G. Krauskopf